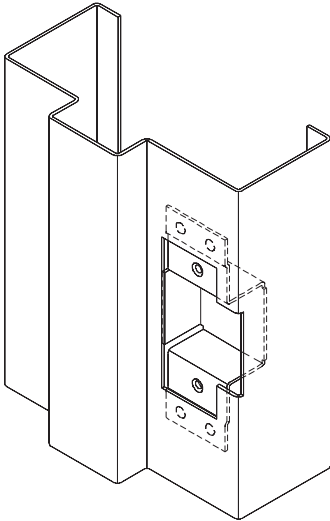
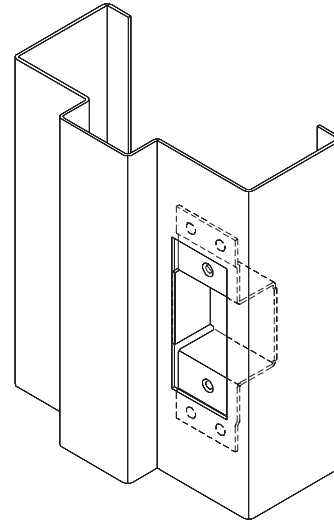


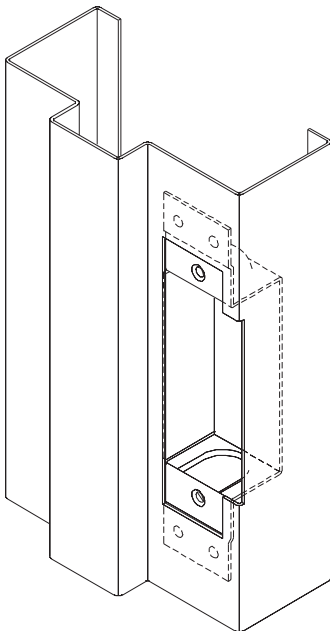
Mortar Guards



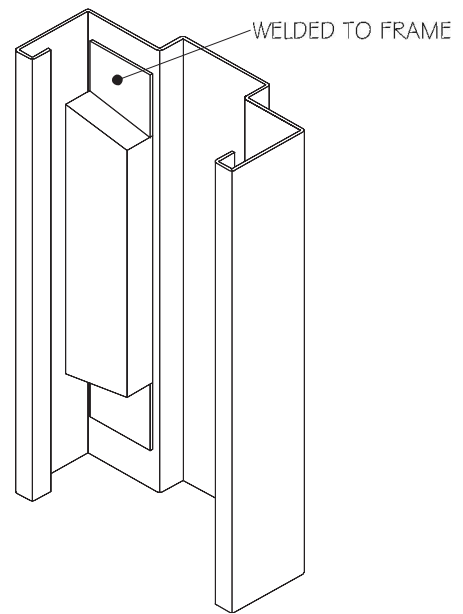
2 3/4" T- STRIKE WITH
MORTAR GUARD



2 3/4" DEAD BOLT PREP
WITH MORTAR GUARD



4 7/8" ANSI 115.1 WITH
MORTAR GUARD



HINGE MORTAR GUARD