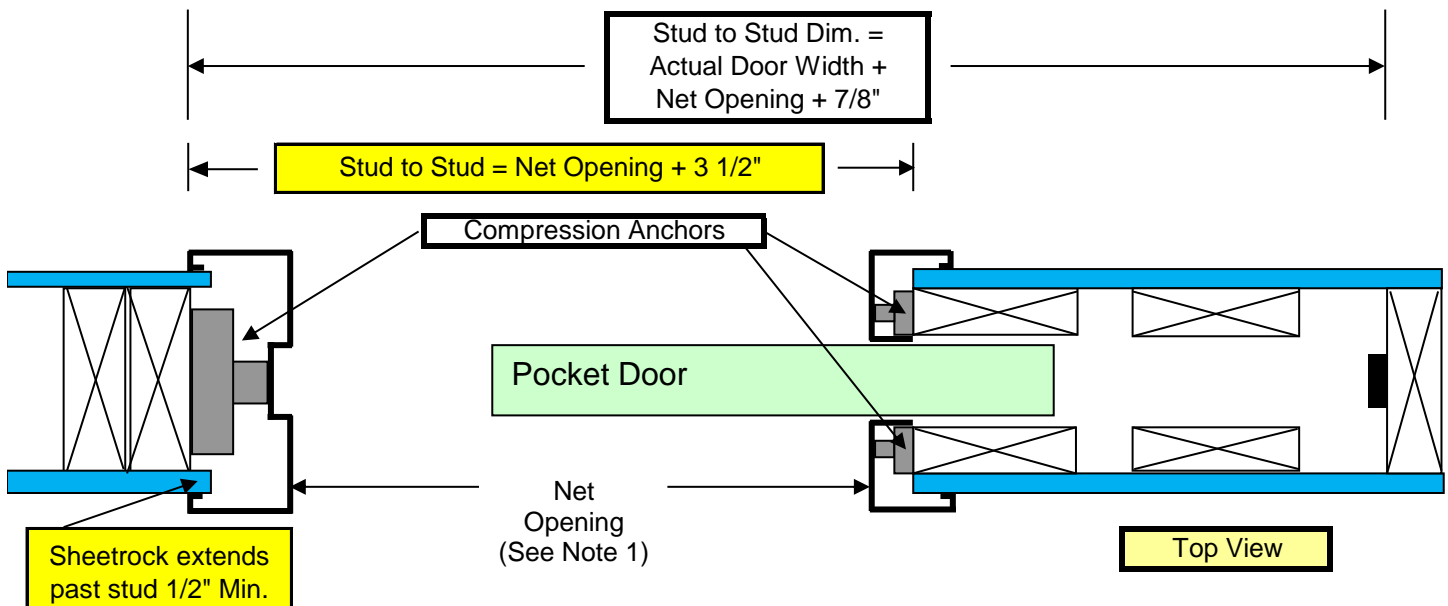


K D Pocket Frame - Using Pocket Frame Kit (By Others)



Net Opening = Nominal Opening - 1" (Ex: 36" Nominal - 1" = 35" Net)

Rough Opening = Net Opening + 3 1/2" (Ex: 35" net Opening + 3 1/2" = 38 1/2" Stud to Stud)

Special Note: Sheetrock Must Extend Past Stud (on Strike Side Only) By 1/2" Min.

