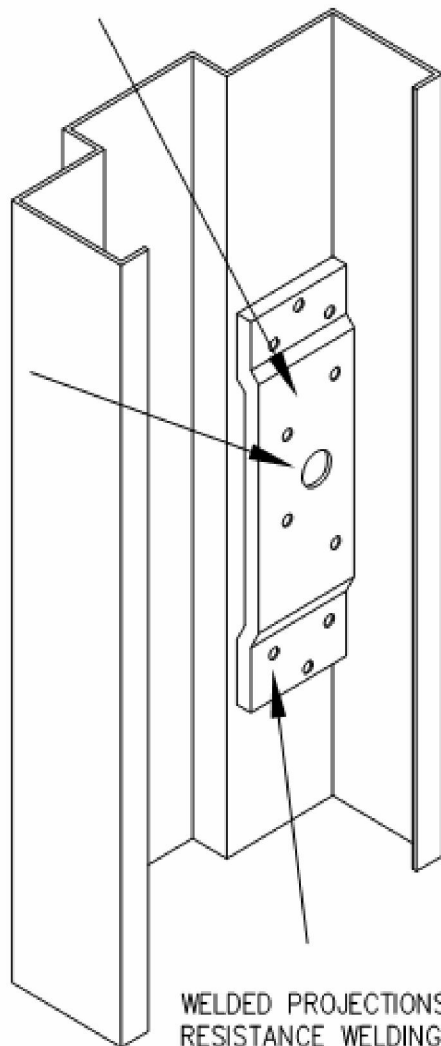


Electrical Box Hinge Prep

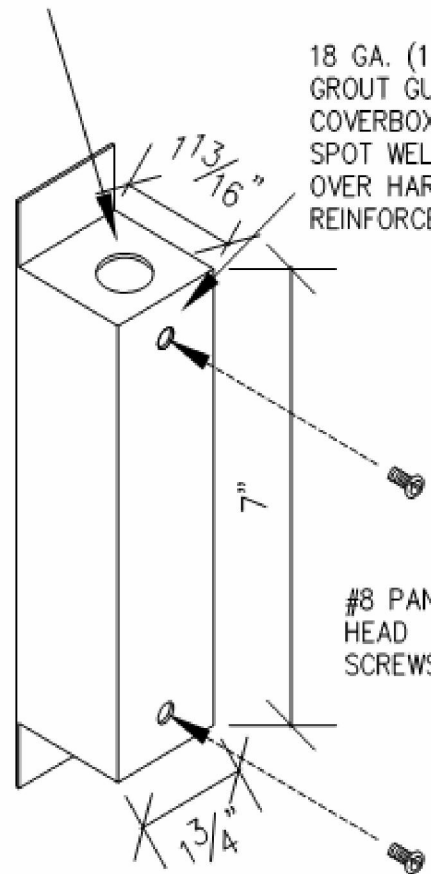
7 GA. (4.5) X 1-19/32"
(40.4) X 10" (254)
HINGE REINFORCEMENT.
DRILLED AND TAPPED FOR
12-24 UNC (STANDARD)
(1/4-20 UNC OPTIONAL)
OFFSET PER HINGE THICKNESS

ELECTRICAL
HINGE WIRE
ACCESS HOLE
PER TEMPLATE



WELDED PROJECTIONS FOR
RESISTANCE WELDING.
PROJECTION WELDED (X3)
PER END.

ELECTRICAL
CONDUIT WITH
KNOCKOUT
(HOLES @ TOP
& BOTTOM)



18 GA. (1.4)
GROUT GUARD
COVERBOX
SPOT WELDED
OVER HARDWARE
REINFORCEMENT

#8 PAN
HEAD
SCREWS

*Junction boxes are not caulked at
factory. To be field caulked by
installation contractor.