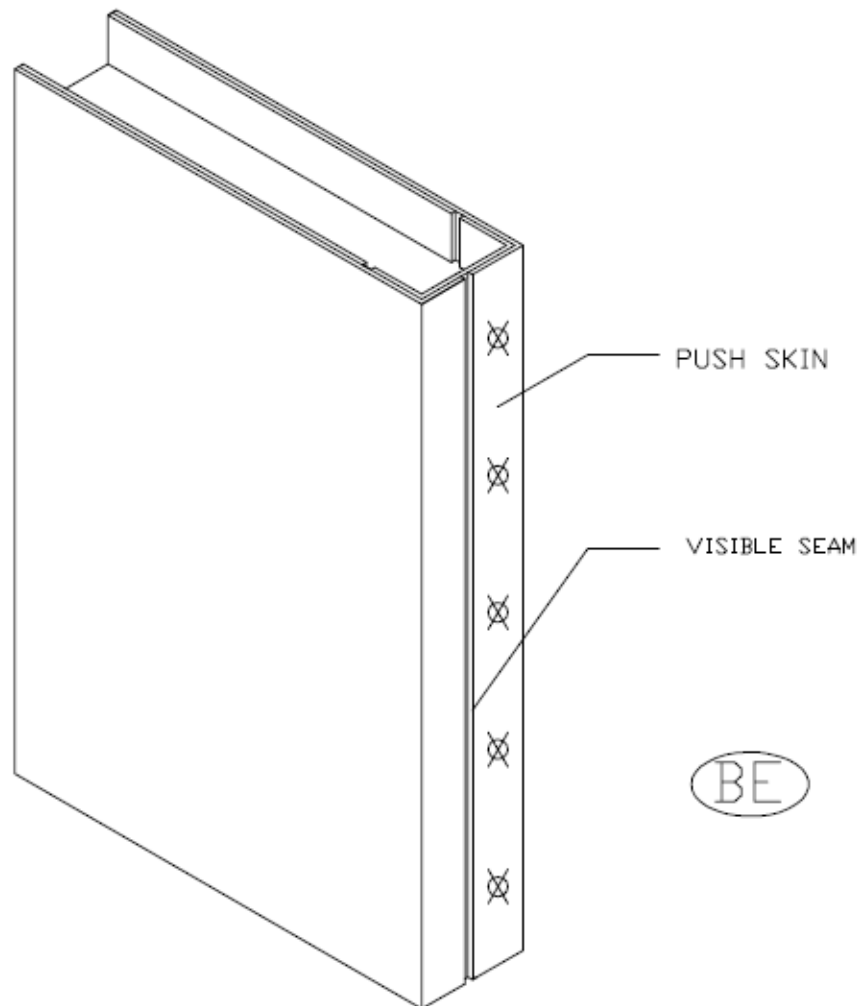
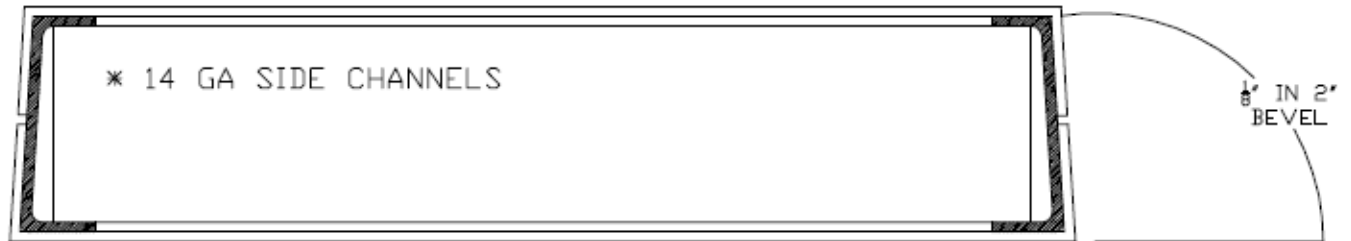


## Butted Edge Door Construction



1. BEVELED AND SQUARE EDGES IN ANY COMBINATION
2. AVAILABLE IN 18, 16, 14 AND 12 GAUGE
3. STANDARD CORE 22 GA. HAT STIFFENDERS WITH MIN. 1.0 LB/FT FIBERGLASS INSULATION