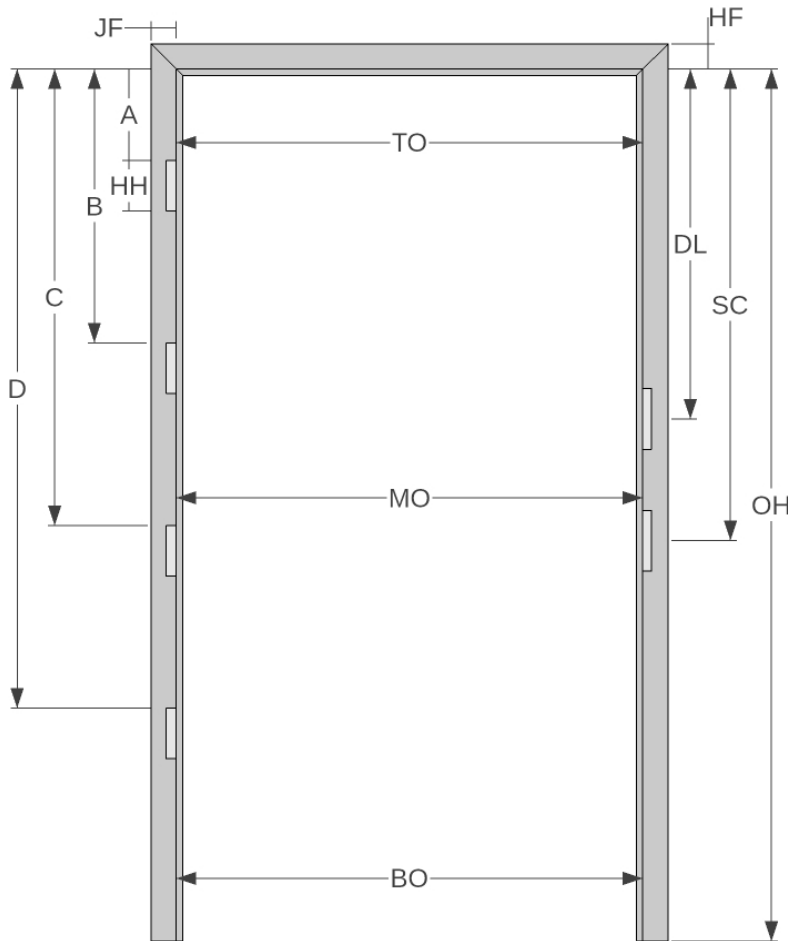


HMF EXPRESS

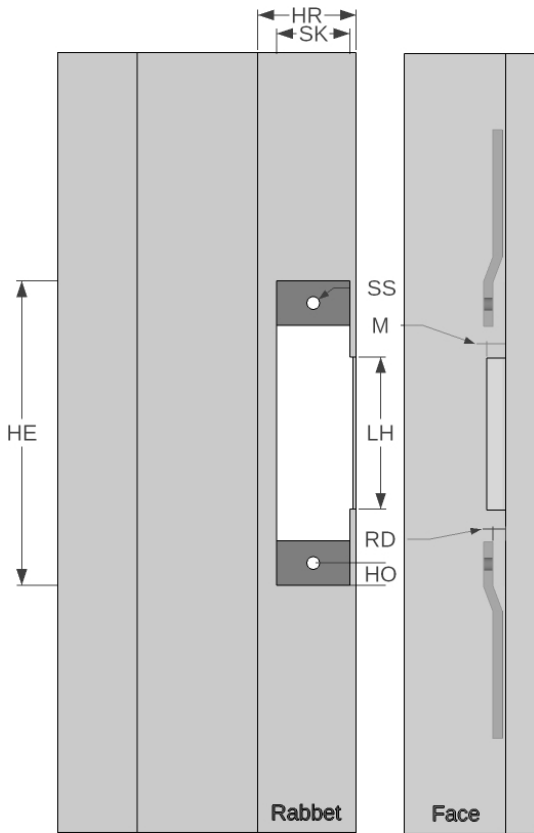
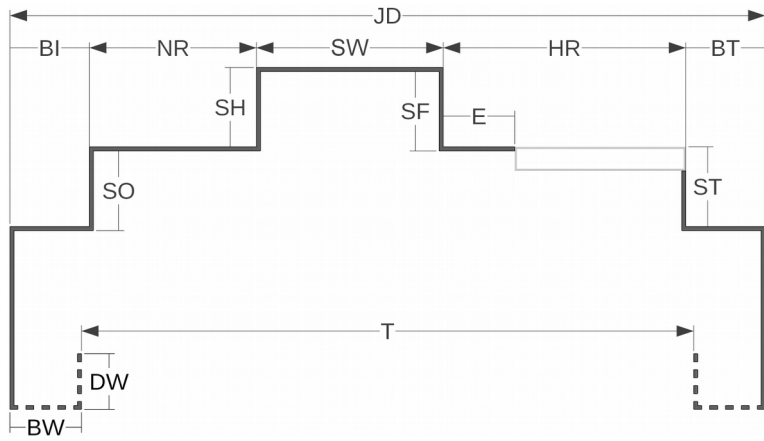


		Non-Hardware Side	Hardware Side
TO	Top Opening Width	_____	_____
MO	Middle Opening Width	_____	_____
BO	Bottom Opening Width	_____	_____
OH	Opening Height	_____	_____
JF	Jamb Face	_____	_____
HF	Head Face	_____	_____
DL	Top to CL of DL Strike		_____
SC	Top to CL of Strike		_____
HH	Hinge Height		_____
HM	Hinge Mortise Depth		_____
A	Top Hinge <small>Measured from inside Head to top of prep.</small>		_____
B	Second Hinge		_____
C	Third Hinge		_____
D	Fourth Hinge <small>If Necessary.</small>		_____

Quantity:		Gauge:		Material:		Handing:	
-----------	--	--------	--	-----------	--	----------	--

Frame Construction:		Fire Label:		Other Hardware Preps:	
---------------------	--	-------------	--	-----------------------	--

Field Measurement Form Cake Frame Company: _____	HMF EXPRESS www.HMFEXPRESS.com Phone: 866-452-1845 Fax: 866-452-9173 2051 Northchase Parkway SE Wilmington, NC 28405	Date:	Mark #:
		By:	
		Page: ___ of ___	



- JD Jamb Depth _____
- HR Hardware Rabbet _____
- SW Soffit Width _____
- NR Non Hardware Rabbet _____
- E Hinge Backset _____
- HT Hinge Thickness _____
- BI First Base Stop _____
- BT Second Base Stop _____
- SO First Base Stop Height _____
- ST Second Stop Height _____
- SH Third Stop Height _____
- SF Fourth Height _____
- BW Backbend Width _____
- DW Double Backbend Width _____
- T Throat _____

- SK Strike Width _____
- HE Strike Height _____
- LH Lip Height _____
- M Lip Mortise Depth _____
- HO Screw Hole _____
- RD Reinforcement Depth _____
- SS Screw Size _____

Field Measurement Form	<p>www.HMFEXPRESS.com</p> <p>Phone: 866-452-1845 Fax: 866-452-9173</p> <div style="border: 1px solid black; padding: 2px; display: inline-block;">2051 Northchase Parkway SE Wilmington, NC 28405</div>	Date: _____	Mark #: _____
Cake Frame		By: _____	
Company: _____	Page: ____ of ____		