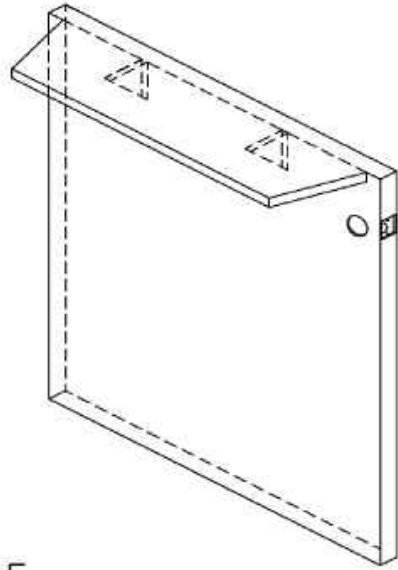
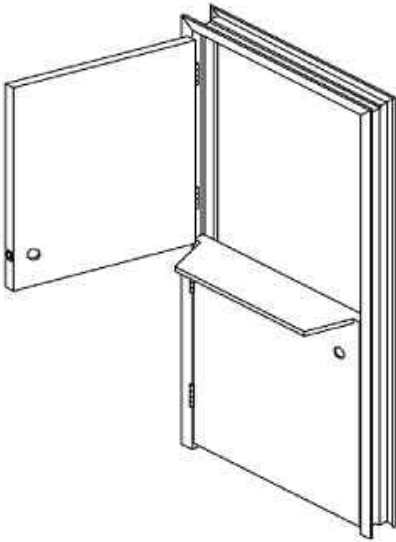
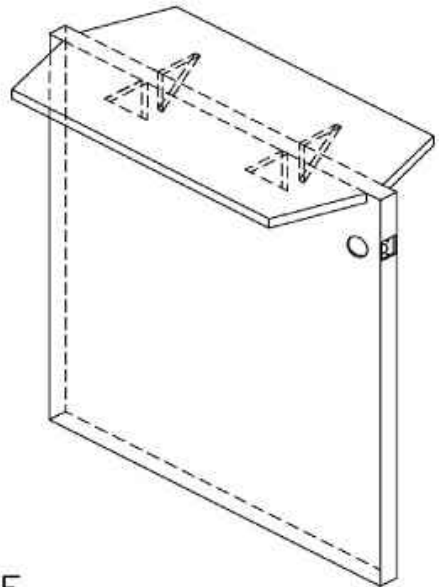
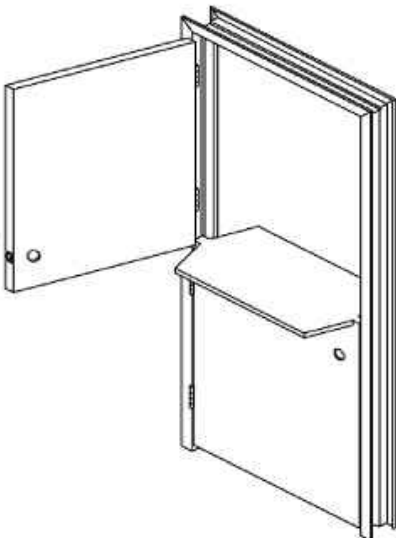


Dutch Door



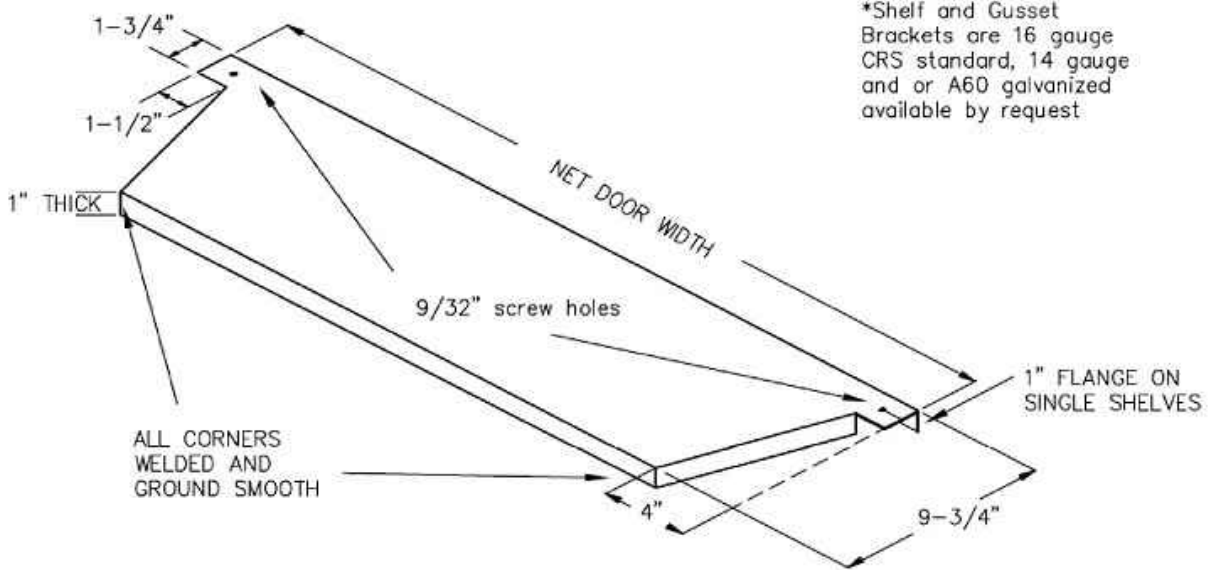
HALF SHELF



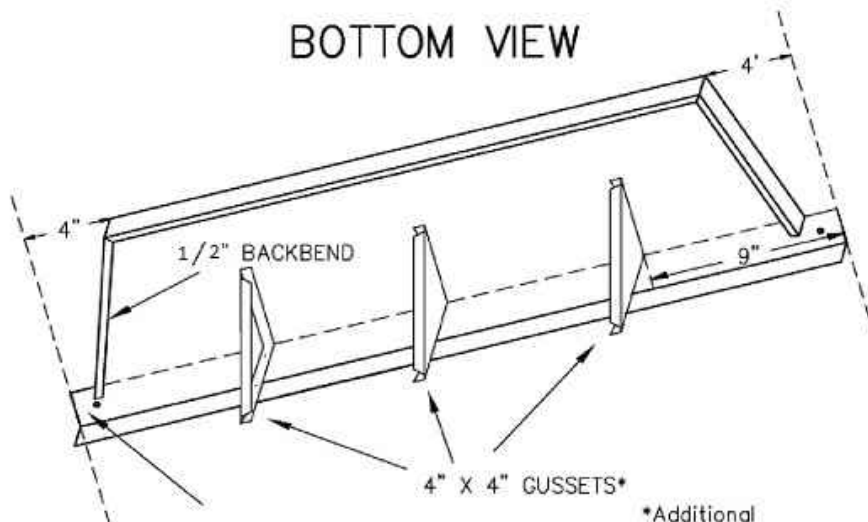
FULL SHELF

Dutch Door Half Shelf Detail

TOP VIEW



BOTTOM VIEW

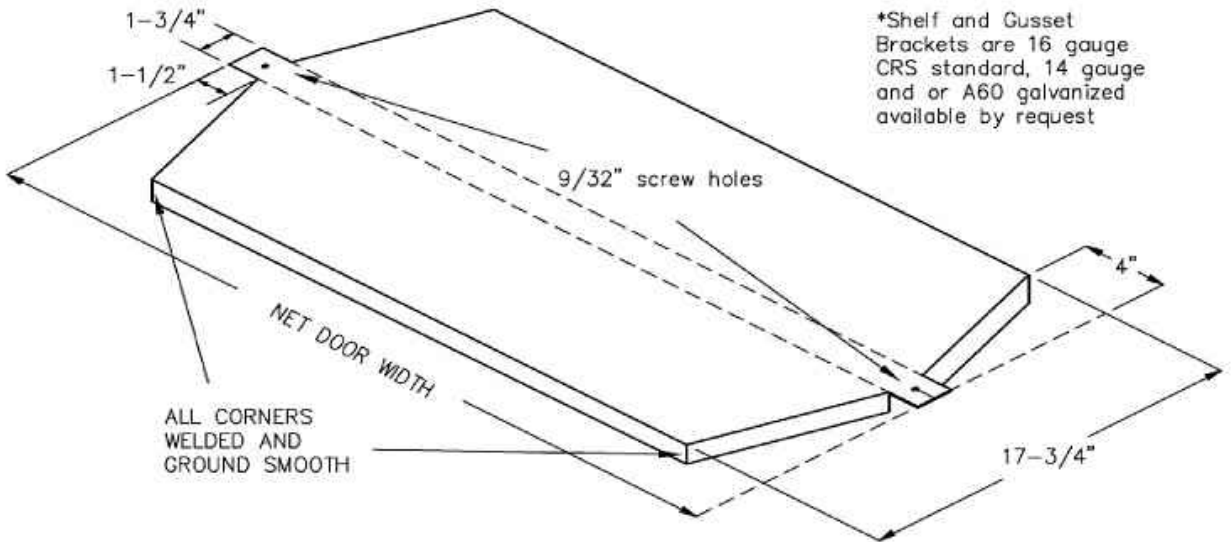


CUSTOMER TO CUT OR GRIND BEVEL ON END OF SHELF TO MATCH DOOR BEVEL AT INSTALLATION

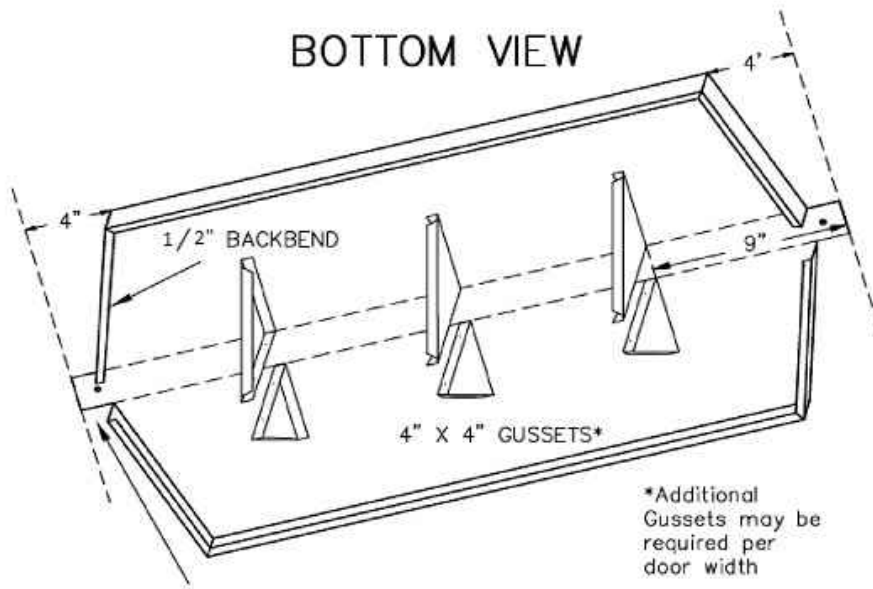
*Additional Gussets may be required per door width

Dutch Door Full Shelf Detail

TOP VIEW



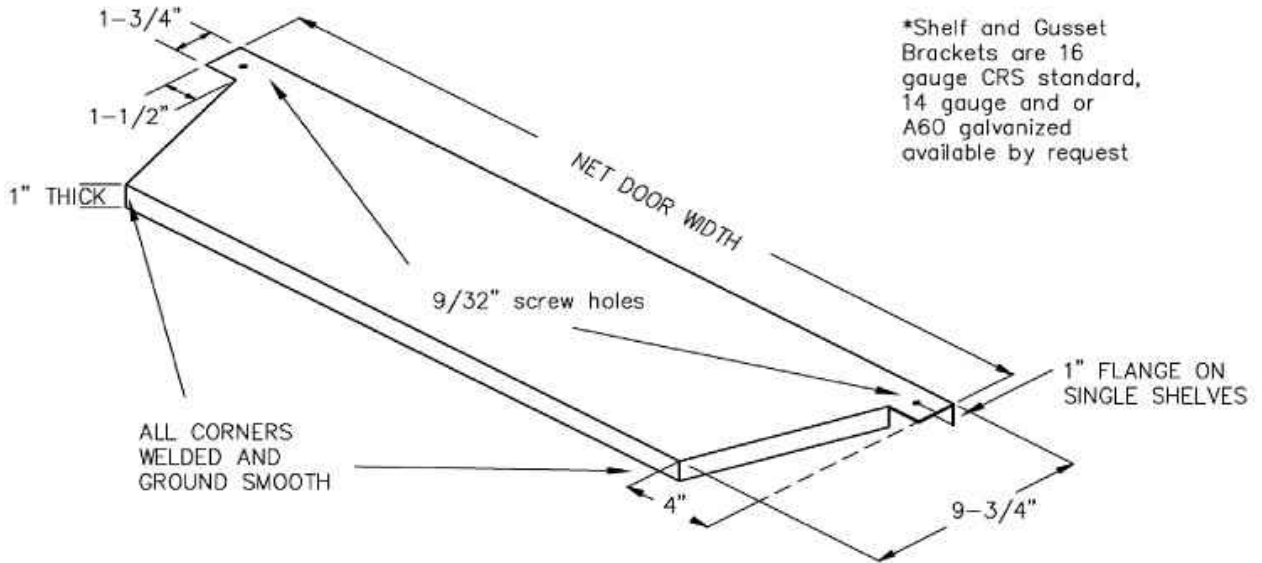
BOTTOM VIEW



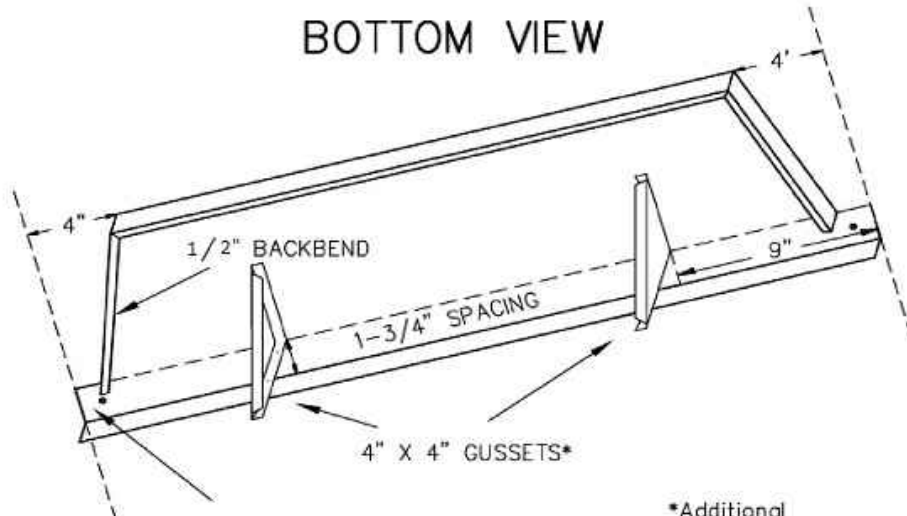
CUSTOMER TO CUT OR GRIND BEVEL ON END OF SHELF TO MATCH DOOR BEVEL AT INSTALLATION

Dutch Door Narrow Half Shelf Detail

TOP VIEW



BOTTOM VIEW

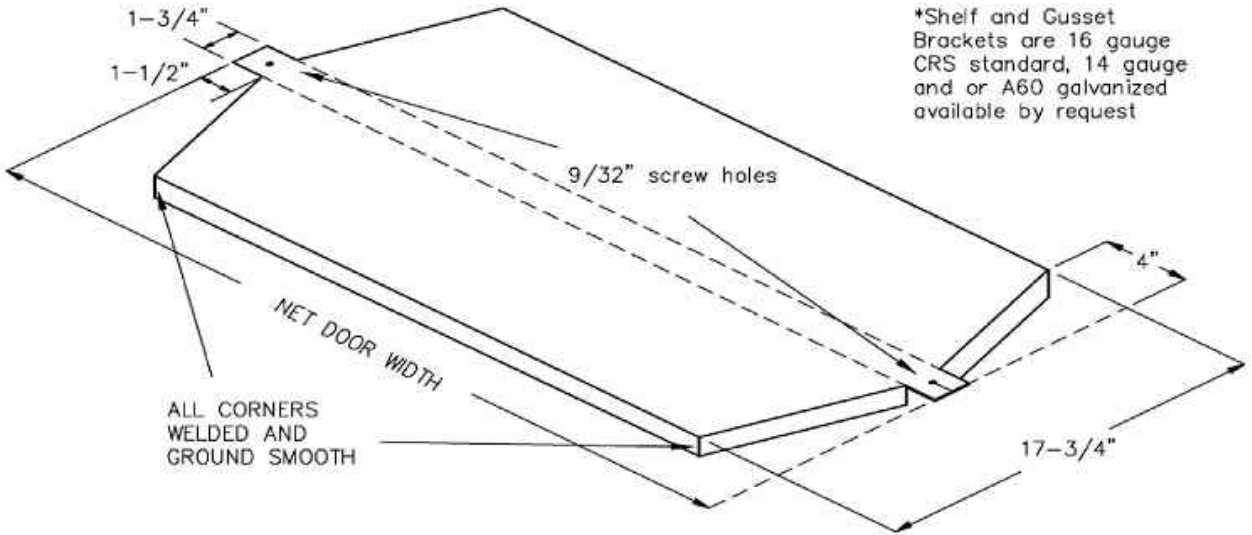


CUSTOMER TO CUT OR GRIND BEVEL ON END OF SHELF TO MATCH DOOR BEVEL AT INSTALLATION

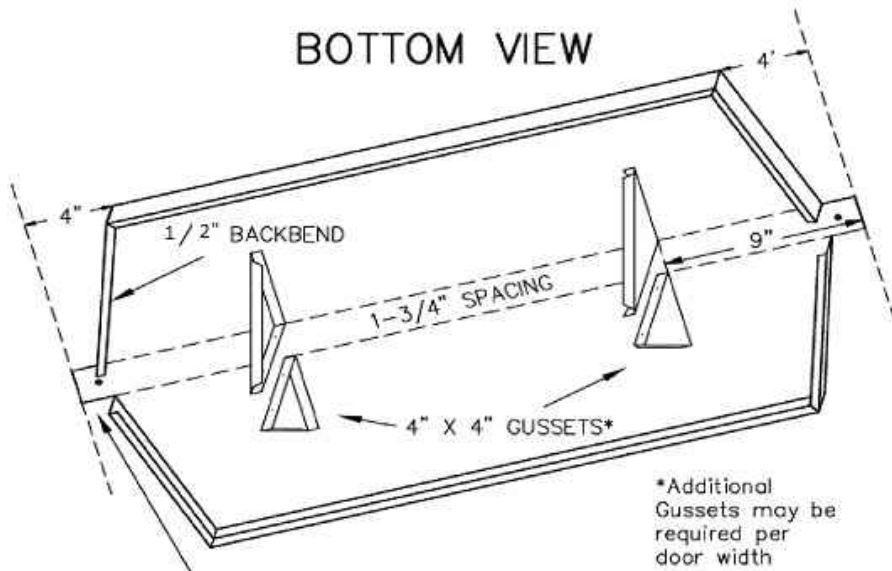
*Additional Gussets may be required per door width

Dutch Door Narrow Full Shelf Detail

TOP VIEW



BOTTOM VIEW



CUSTOMER TO CUT OR GRIND BEVEL ON END OF SHELF TO MATCH DOOR BEVEL AT INSTALLATION