

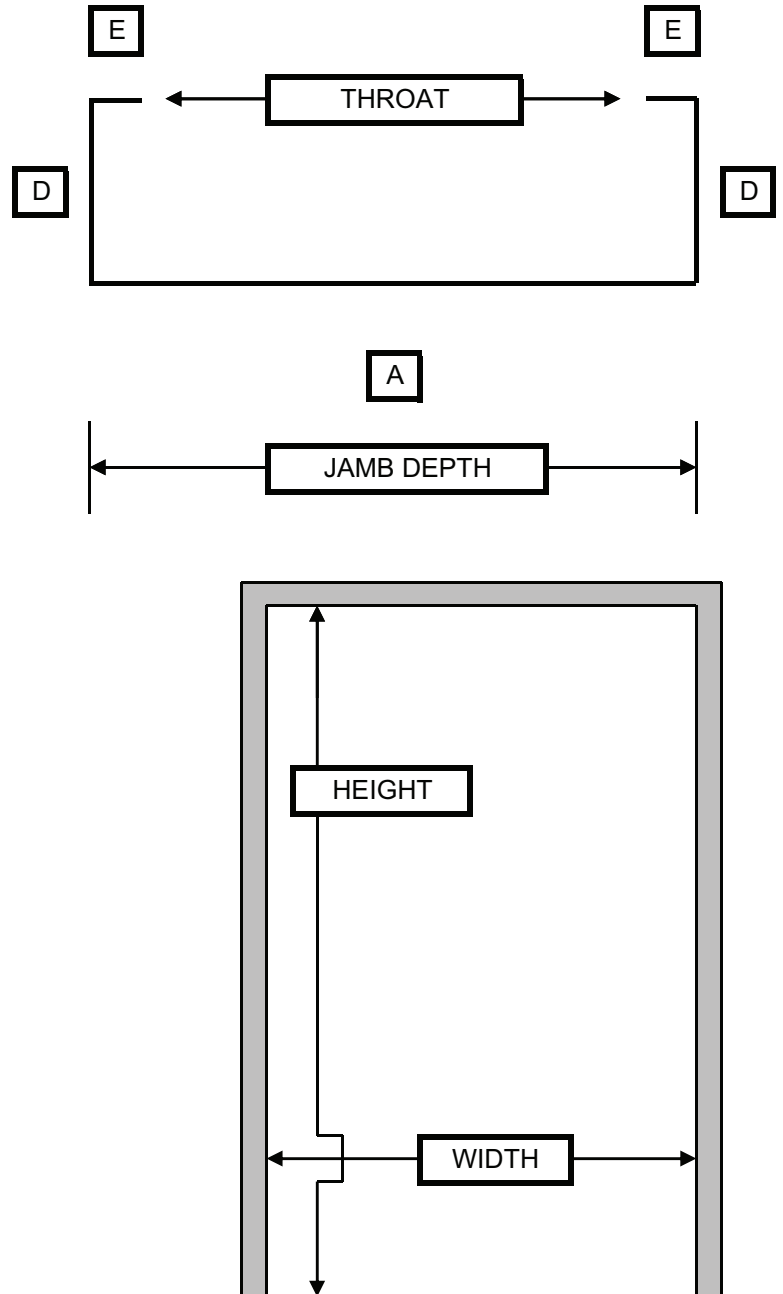
## STC 54 3-Sided Single Frame (Cased Open)

| FRAME PART                               | DIMENSIONS |
|--|------------|
| THROAT                                   |            |
| MINIMUM                                  | 2 3/4"     |
| MAXIMUM                                  | 13"        |
| A=Jamb Depth                             |            |
| MINIMUM                                  | 3 3/4"     |
| MAXIMUM                                  | 14"        |
| D=ACES                                   |            |
| MINIMUM                                  | 1 1/4"     |
| MAXIMUM                                  | 4"         |
| E=RETURNS                                |            |
| MINIMUM                                  | 7/16"      |
| MAXIMUM                                  | 3/4"       |
| HEIGHT                                   |            |
| MINIMUM                                  | 80"        |
| MAXIMUM                                  | 96"        |
| WIDTH - SGL.                             |            |
| MINIMUM                                  | 24"        |
| MAXIMUM                                  | 48"        |
| All Hardware Preps receive Mortar Guards |            |
| All Frames 14 Ga (CRS & A60 Available)   |            |
| Zero Z950 Cam Lift Hinges Only           |            |
| High Frequency Hinge Rein. Required      |            |
| ASA Strike Only                          |            |
| Frames Tested without Closer reinf.      |            |

Available Continuously Welded Only

Rough Opening = Overall Frame Size + Clearance

Non Fire Rated Only



### ANCHOR OPTIONS

Masonry & Stud Type (Grout-Filled Only)

All Frames Must be Grouted Solid

## STC 54 Single - Sound Rated Door

Proprietary Core

Threshold and All Seals Provided

16 Ga. Flush Seamless  
Top & Bottom Channels

14 Gauge Face Sheets

Non Fire Rated Only

Minimum Size 2-0 x 6-8

Maximum Size 4-0 x 8-0

Cam Lift Hinges with High  
Frequency Reinforcement  
Qty 2 - (Doors > 24 Sq. Ft -  
3 are Req'd)  
Available with Package

3/16" Clearance Req'd at Head

161 Lock with 3 3/4" BS Required  
Furnished By Others

Thickness 1 3/4"

3/8" Undercut Only

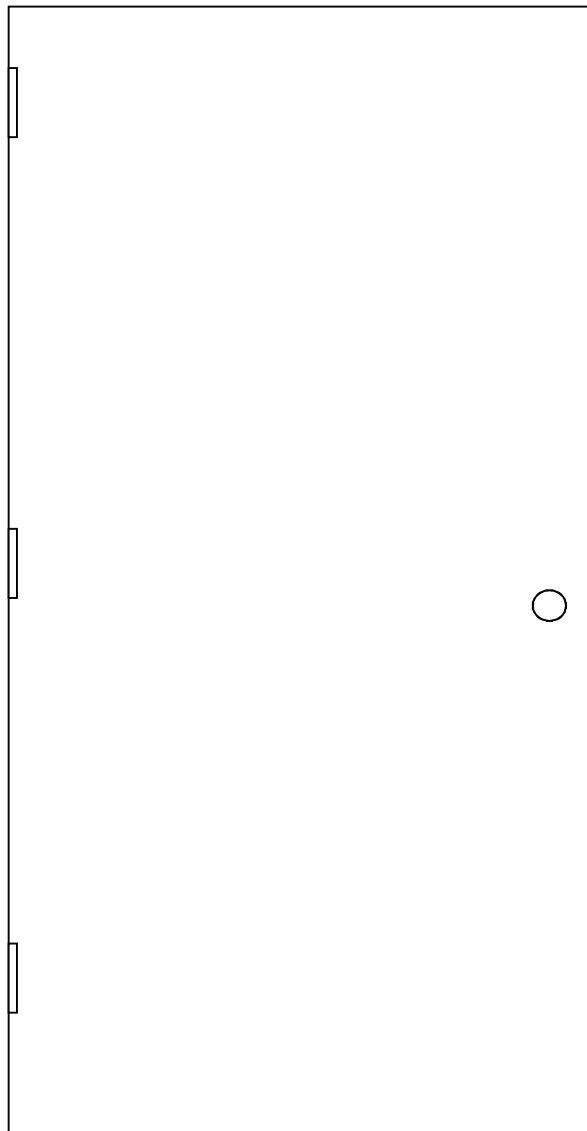
Square or Bevelled Edge

Welded Seamless Construction

Baked On Grey Primer

Hardware Rein: Hinge = 7 Ga.  
161 Lock = 16 Ga

PA Closer will Require Special  
Mounting Bracket # 770 SPB





## STC 54 Opening

### 1-3/4" Thick Flush Single Door and Frame Package

(Available 2068 to 4080 leaf size)

14 gauge "case open" continuously welded mortar filled frame

(Frame By HMF – Mortar filled on jobsite)

14 gauge flush door with 3/8" UC (with Proprietary Core) (By HMF)

#### Hardware:

(2) Zero Z950 5" Cam Lift Hinge (By HMF)

(1) Cylindrical Lock with 3-3/4" BS x 4-7/8" ASA Strike (By Others)

(1) Set Zero 770A at Head and Jambs (By HMF)

(1) Zero 367 x 36" Auto Door Bottom (By HMF)

(1) Zero 564A x 36" Threshold (By HMF)

(1) Set Zero 119W Spring Bronze at Head and Jambs (By HMF)

## STC 54 Sound Seal Package

Zero 770 around perimeter of opening at head and jambs creating a stop on a case open frame. Install 564 threshold before the 770 sound seal.

Zero 119W around perimeter of opening at head and jambs. Typically this would be located where the door rabbet is located on a double rabbet frame. This will typically be the last item installed.





Zero 564 threshold positioned where door bottom seal makes an air tight seal at bottom of door. Threshold should be installed 1<sup>st</sup> per installation instructions.

Zero 367 automatic door bottom positioned at bottom of door and between 770 seal. Bottom seal should seal on top of 564 threshold.




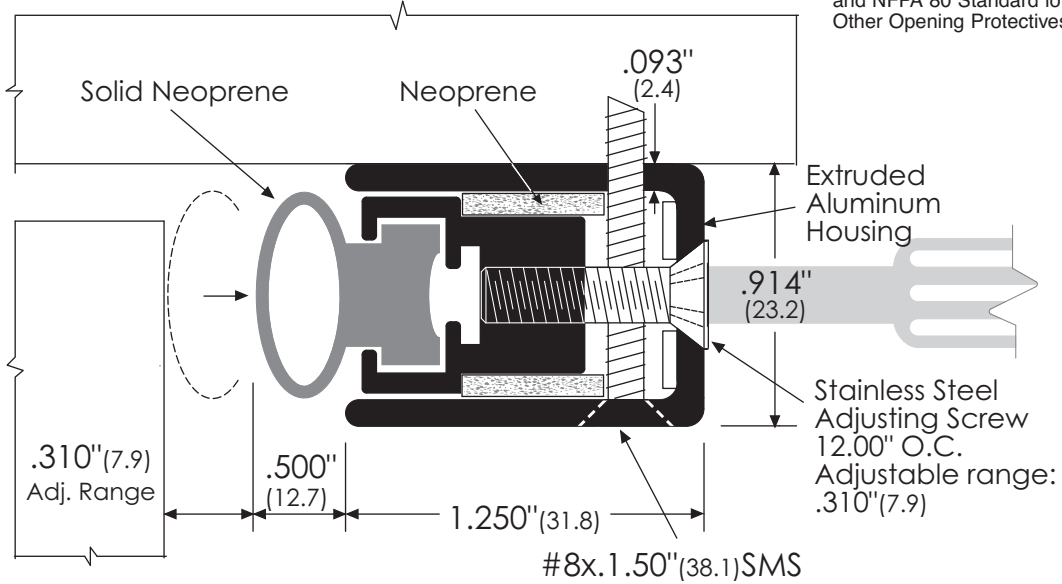


**FIRE RATING**

-  UL listed
-  10B Classified up to 45 minutes
-  10C Classified
-  Category G Listed up to 20 minutes

**SMOKE PERFORMANCE**

 The rubber seal in this gasket provides protection from smoke infiltration in accordance with provisions of NFPA 101 Life Safety Code and NFPA 80 Standard for Fire Doors and Other Opening Protectives



**ANSI/BHMA**

**Legend:**

AA = Clear Anodized  
D = Dark Bronze Anodized

Head & Jamb #770AA / 770D R3B264  
R3B204



415 Concord Avenue tel: 718.585.3230  
Bronx, NY 10455 fax: 718.292.2243  
email: zero@zerointernational.com  
web site: www.zerointernational.com

**Part No:**  
770

**Notes:**

**Part Description:**  
Adjustable Sealing System  
- STC Rated

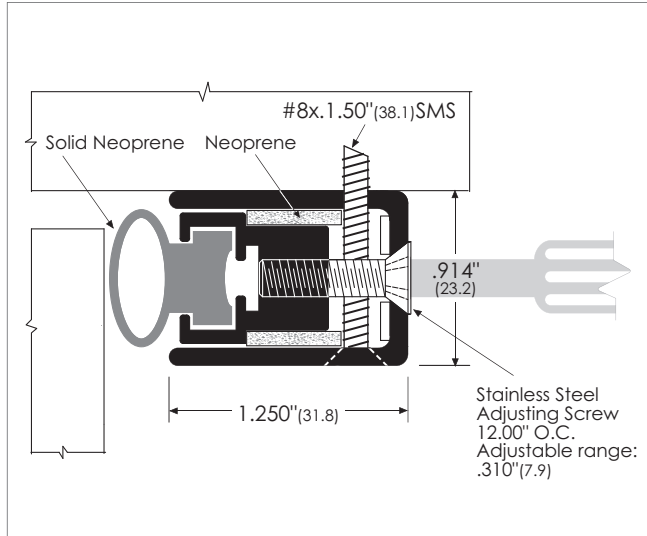
**Provided By:**

**Customer Name:**

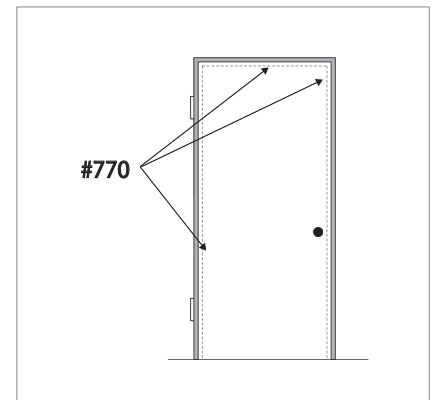
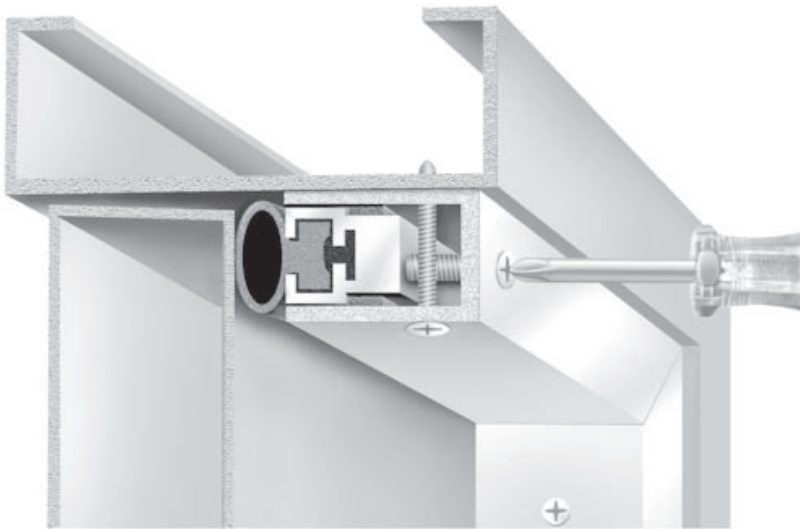
**Job No:**

**Date:**

# #770 Head and Jamb Protection INSTALLATION INSTRUCTIONS



- 1 Close the door and measure the frame opening.
- 2 Install the gasketing (trim as necessary), head piece first. Place the piece against the face of door, making gentle contact between the rubber extrusion seal and the door. Fasten in place.
- 3 Place hinge side piece against the face of door, making gentle contact between the rubber extrusion seal and the door. Fasten in place. Repeat the same procedure with the lock side.
- 4 It is recommended that this gasketing product be set in a bead of caulking to ensure the integrity of the seal and prevent additional sound transmission.
- 5 Adjust the #770 with the adjustment screws as necessary for the desired seal and operation of the door.



## ZERO INTERNATIONAL, INC.

415 Concord Avenue, Bronx, NY 10455-1004

Tel : 718-585-3230 • Fax : 718-292-2243

E-mail : zero@zerointernational.com


www.zerointernational.com

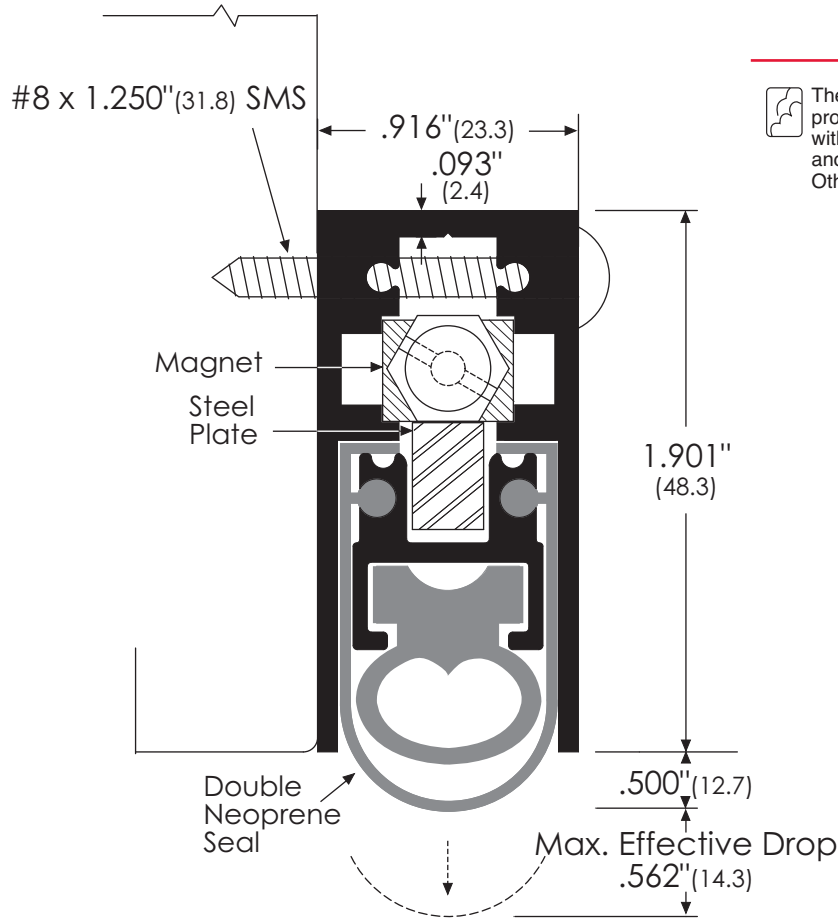
**FIRE RATING**

 UL listed

 10C Classified

**SMOKE PERFORMANCE**

 The rubber seal in this gasket provides protection from smoke infiltration in accordance with provisions of NFPA 101 Life Safety Code and NFPA 80 Standard for Fire Doors and Other Opening Protectives



**Legend:**

AA = Clear Anodized  
 D = Dark Bronze Anodized  
 G = Gold Anodized

**ANSI/BHMA**

#367AA / 367D / 367G

R3B334



415 Concord Avenue tel: 718.585.3230  
 Bronx, NY 10455 fax: 718.292.2243  
 email: zero@zerointernational.com  
 web site: www.zerointernational.com

**Part No:**  
 367

**Notes:**

**Part Description:**  
 Automatic Door Bottom  
 - High Sound  
 - Surface Mounted / Heavy Duty

**Provided By:**

**Customer Name:**

**Job No:**

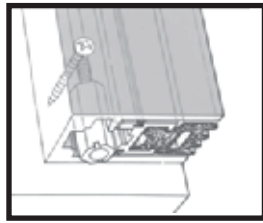
**Date:**

# INSTALLATION INSTRUCTIONS

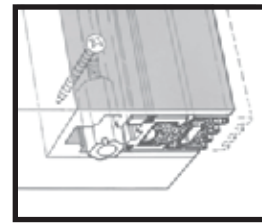
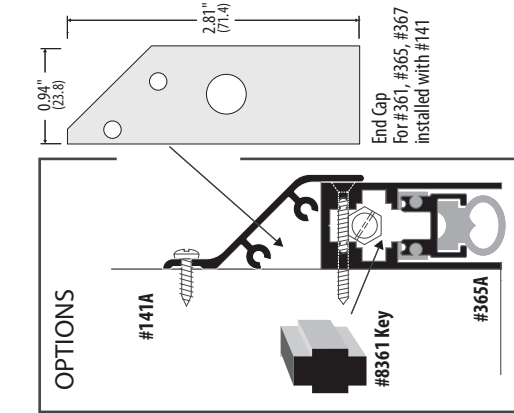
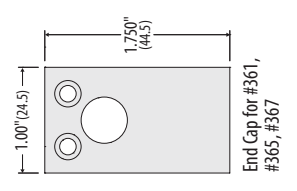
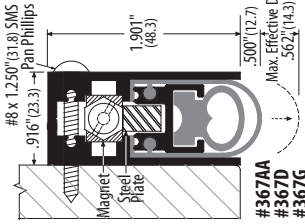
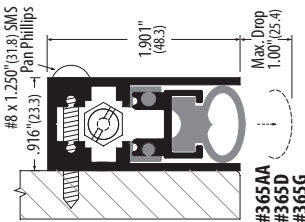
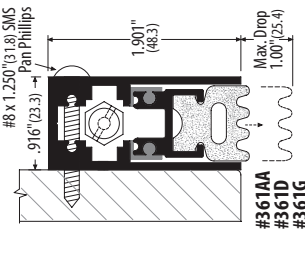
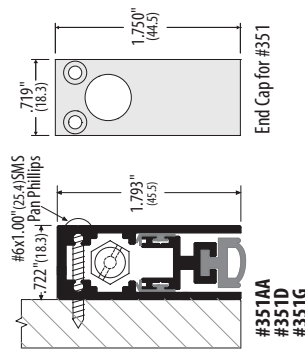
## Automatic Door Bottoms #320, 350, 351, 352, 360, 361, 362, 364, 365, 366, 367, 368, 369



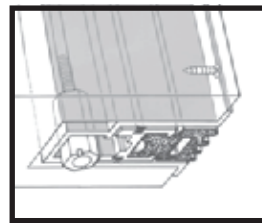
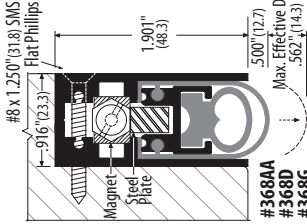
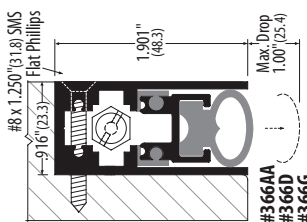
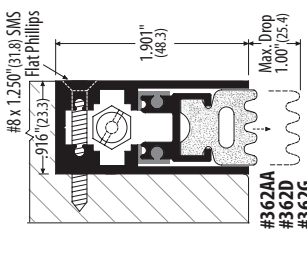
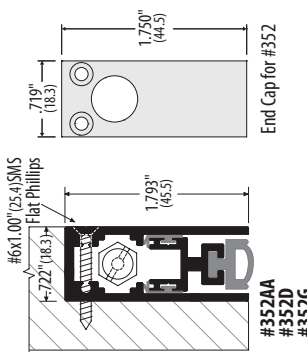
**ZERO INTERNATIONAL, INC.**  
 415 Concord Avenue, Bronx, NY 10455-4801  
 Tel: 718-585-3230 • Fax: 718-292-2243  
 www.zerointernational.com



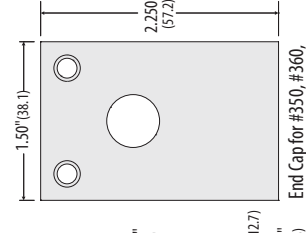
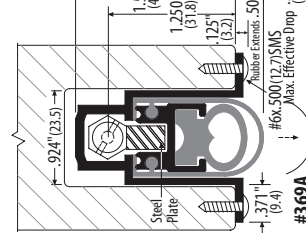
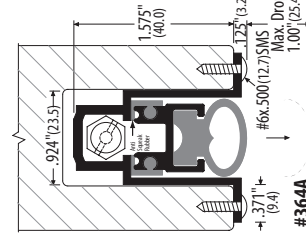
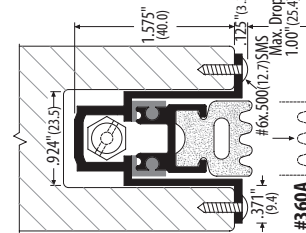
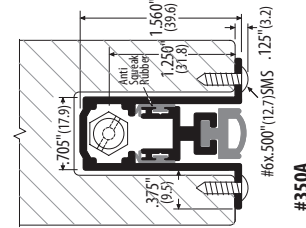
### ● Surface-Mounted



### ● Semi-Mortised



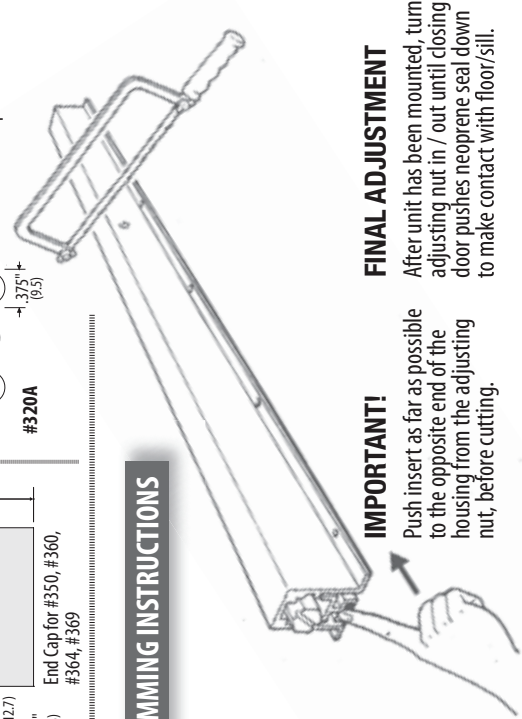
### ● Mortised



### How To Install:


- 1** All surface and semi-mortised units must be mounted on the push side of the door stop (side where the door stop is).
- 2** The brass adjusting nut must be on the hinge side and should not be adjusted until the unit has been mounted.
- 3** Leave 1/16" (1.6) clearance on each end.
- 4** Optimum clearance between door bottom unit and floor or sill is 3/8" (9.5).

### TRIMMING INSTRUCTIONS




Typical Mounting of Automatic Door Bottoms

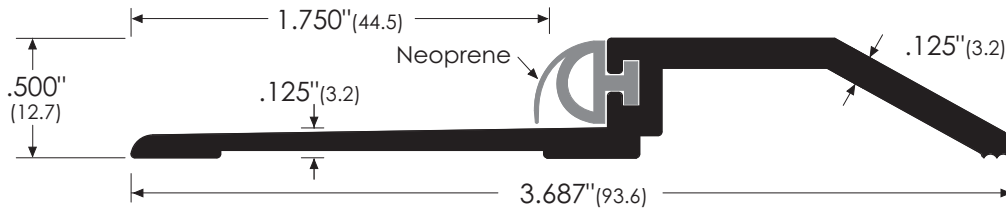
**FIRE RATING**

 ITS Warnock Hersey listed

 10C Classified

**SMOKE PERFORMANCE**

 The rubber seal in this gasket provides protection from smoke infiltration in accordance with provisions of NFPA 101 Life Safety Code and NFPA 80 Standard for Fire Doors and Other Opening Protectives



**ANSI/BHMA**

**Legend:**

A = Aluminum  
 B = Bronze  
 D = Dark Bronze Anodized  
 E = Epoxy

|                |        |
|----------------|--------|
| #564A / 564D   | J36300 |
| #564AE / 564DE | J36400 |
| #564B          | J16300 |
| #564BE         | J16400 |



415 Concord Avenue tel: 718.585.3230  
 Bronx, NY 10455 fax: 718.292.2243  
 email: zero@zerointernational.com  
 web site: www.zerointernational.com

**Part No:**  
 564

**Notes:**

**Part Description:**

Rabbeted Threshold

**Provided By:**

**Customer Name:**

**Job No:**

**Date:**

# Thresholds

## INSTALLATION INSTRUCTIONS

- 1 Measure and cut threshold to size as required.
- 2 Notch as necessary, to suit door frame.
- 3 Caulk underneath and around edges of threshold for moisture control.
- 4 Attach threshold to floor surface with screws provided.



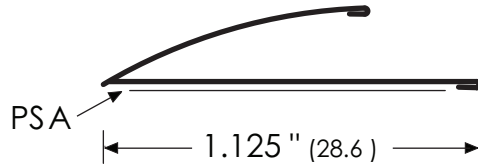
### **ZERO INTERNATIONAL, INC.**

415 Concord Avenue, Bronx, NY 10455-1004

Tel : 718-585-3230 • Fax : 718-292-2243

E-mail : [zero@zerointernational.com](mailto:zero@zerointernational.com)

[www.zerointernational.com](http://www.zerointernational.com)



**#119WB**  
**#119WS**

34 B. & S. Gauge Spring Bronze


ANSI/BHMA

**Legend:**

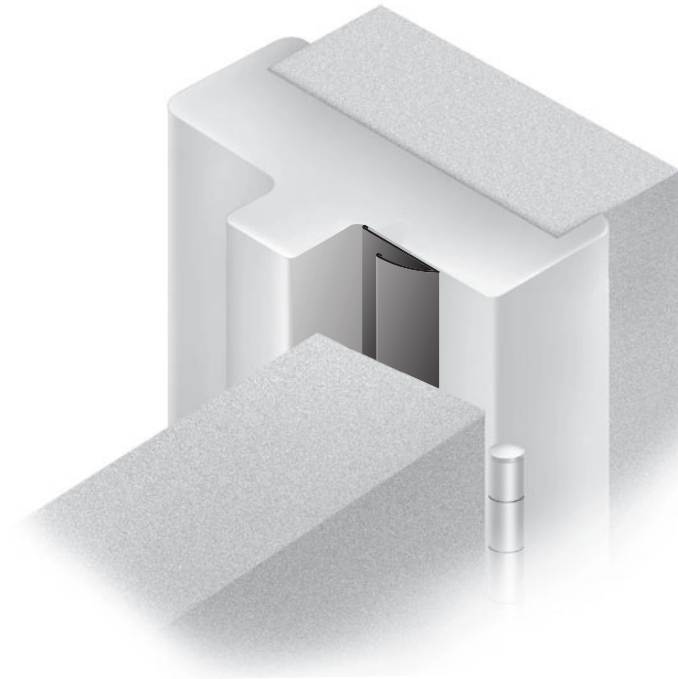
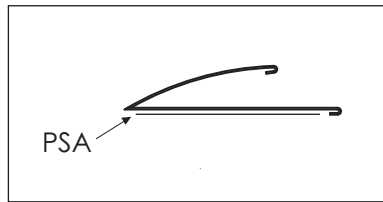
B = Bronze  
 S = Stainless Steel

#119WB  
 #119WS

R1K155  
 R5K155

|  |   |   |              |
|--|---|---|--------------|
|  | 415 Concord Avenue      tel: 718.585.3230<br>Bronx, NY 10455      fax: 718.292.2243<br>email: zero@zerointernational.com<br>web site: www.zerointernational.com | <b>Part No:</b><br>119W                             |              |
|  | <b>Notes:</b>   | <b>Part Description:</b><br>Door Seal<br>- Adhesive |              |
| <b>Provided By:</b>  | <b>Customer Name:</b>   | <b>Job No:</b>                                      | <b>Date:</b> |

# #119B / 119WB / 119WS Bronze Cushion Spring INSTALLATION INSTRUCTIONS

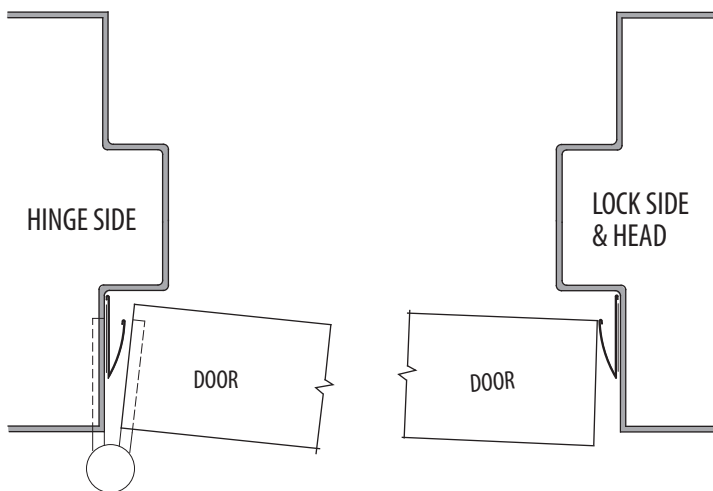


## Before Installation :

- 1 Thoroughly clean the surface of the frame where gasketing is to be applied (see drawings). Use either a solvent cleaner (such as mineral spirit) or a common detergent cleaner. Make sure to check for any impediments (dust, dirt, oil, grease, loose paint, etc.) and remove them from the surface area.
- 2 Allow surface area to dry COMPLETELY before beginning installation.
- 3 Recommendation: Finish-paint doors and frames and allow the paint to dry before installing the gasketing.

## How To Install :

- 1 Install the head piece first along the entire length of the head. Measure and cut the gasketing to size and place properly, referring to drawings for location on the head. Remove the paper backing from the self-adhesive strip (PSA), align on the head and press firmly into place.
- 2 Install the strike jamb gasketing next, following procedures as outlined in step 1. (Refer to drawing for placement on the strike jamb.)
- 3 Install the hinge jamb gasketing last, following procedures as outlined in step 1. (Refer to drawing for placement on the hinge jamb.)

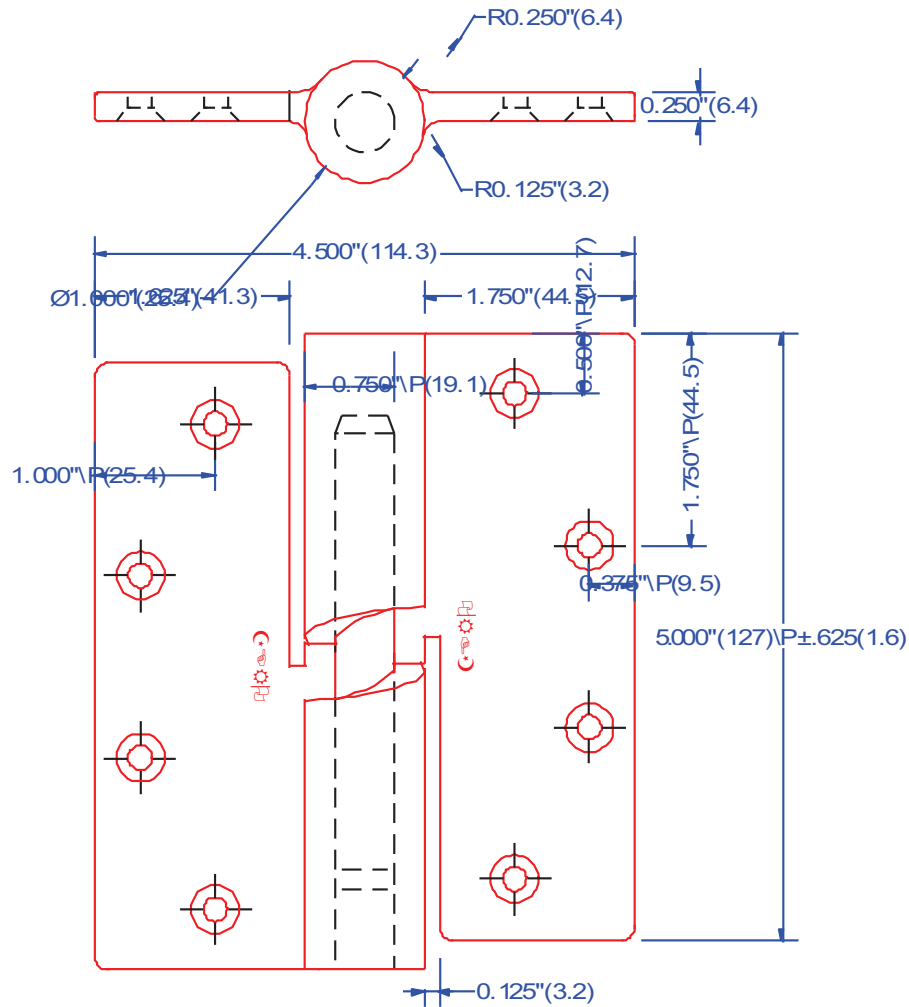


## ZERO INTERNATIONAL, INC.

415 Concord Avenue, Bronx, NY 10455-1004  
Tel : 718-585-3230 • Fax : 718-292-2243  
E-mail : zero@zerointernational.com  
www.zerointernational.com

# HMF EXPRESS

## Zero Model # Z950 Cam Lift Hinge



### #950STST CAM LIFT HINGE

|                       |   |
|-----------------------|---|
| <b>HINGE:</b>         | 1020 Stainless Steel, precision investment cast   |
| <b>PIN:</b>           | 1/2" Dia. hardened tool steel. Hardened & chromed finished to Rockwell C 60 to meet ASME/ANSI B 18.3 specs.                       |
| <b>PLUG:</b>          | Hardened Steel with slot for lubrication.   |
| <b>TYPE:</b>          | Mortise/Handed-specify right or left.   |
| <b>SCREW:</b>         | 12-24 countersunk x 3/4"  |
| <b>RATING:</b>        | Up to 300 lbs. per pair<br>Up to 500 lbs. per pair & a half   |
| <b>WEIGHT:</b>        | 2.25 lbs. (each)  |
| <b>SPECIFICATION:</b> | Minimum clearance at head of frame is 3/16" for doors greater than 1-3/4"<br>1/4" lift over 90° opening, max. lift 3/8" over 180° |