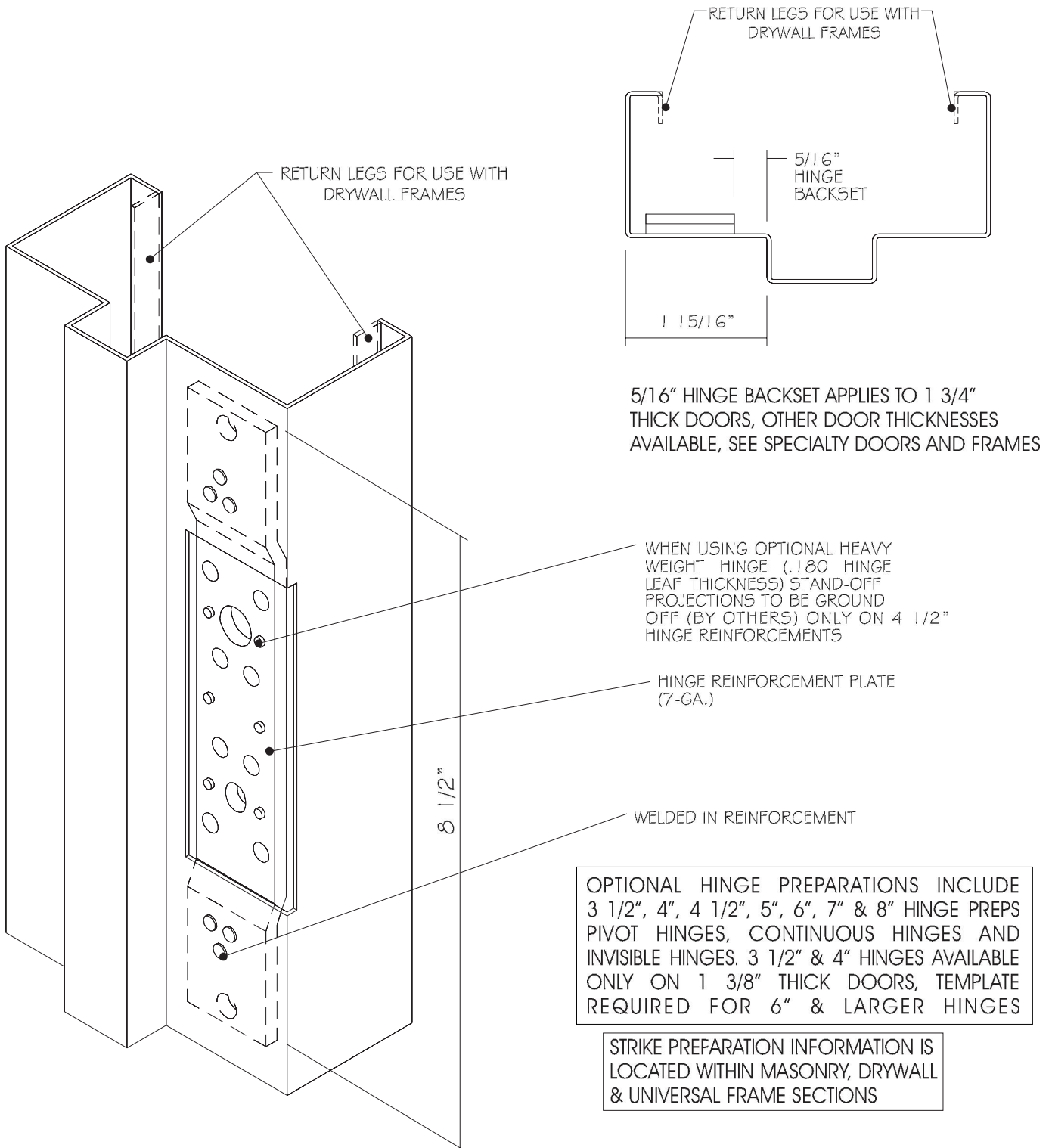
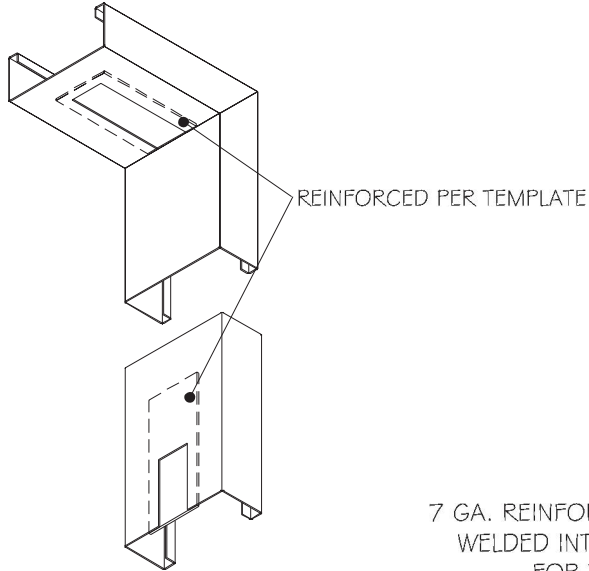


Hinge Preps

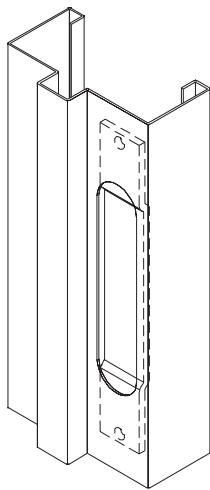
STANDARD HINGE WEIGHT: .134 THICK HINGE LEAF



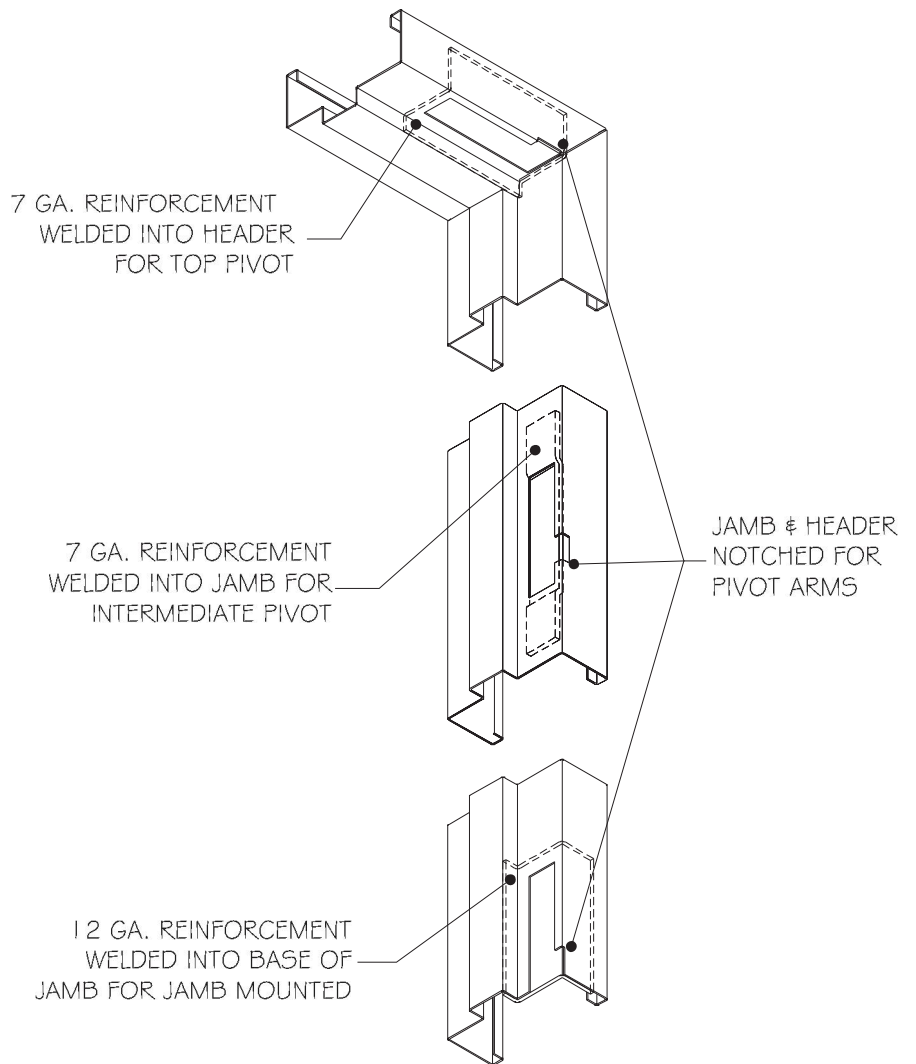
Hinge Preps



TYPICAL DOUBLE ACTING PIVOT HINGE PREP CONSULT FACTORY FOR OTHER PIVOT HINGE PREPS. DRILLING & TAPPING MUST BE SPECIFIED



TYPICAL INVISIBLE HINGE PREP DRILLING & TAPPING MUST BE SPECIFIED



TYPICAL PIVOT HINGE PREP CONSULT FACTORY FOR OTHER PIVOT HINGE PREPS. DRILLING & TAPPING MUST BE SPECIFIED