

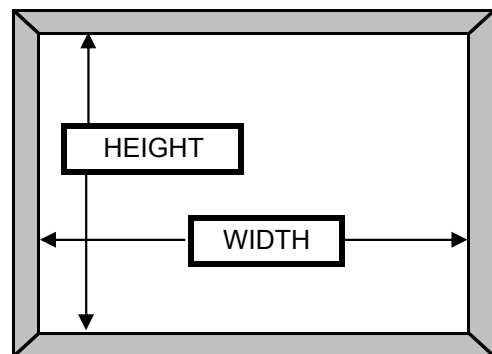
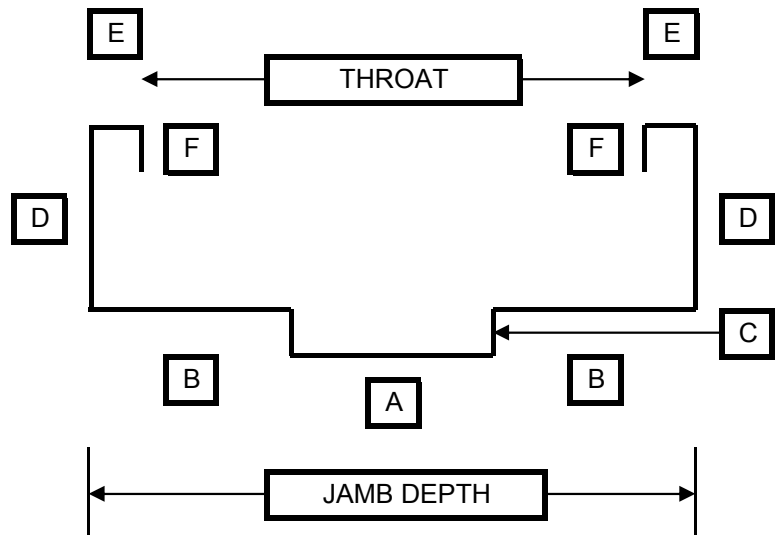
KD Borrowed Lite - For After-wall Installation - "B" Profile

FRAME PART	UL RATED	NON RATED
THROAT		
MINIMUM	3 1/2"	3 1/4"
MAXIMUM	13"	No Limit
A=SOFFIT		
MINIMUM	1 1/4"	* 5/8" *
MAXIMUM	10 1/2"	No Limit
B=RABBETS		
MINIMUM	1 1/8"	5/8"
MAXIMUM	Varies	No Limit
C=STOP		
MINIMUM	5/8"	5/8"
MAXIMUM	Varies	No Limit
D=ACES		
MINIMUM	1 1/4"	1"
MAXIMUM	4"	No Limit
E=RETURNS		
MINIMUM	7/16"	7/16"
MAXIMUM	3/4"	No Limit
F=DW RETURN		
MINIMUM	3/8"	3/8"
MAXIMUM	5/8"	Varies
HEIGHT		
MINIMUM	Varies	12"
MAXIMUM	Varies	No Limit
WIDTH		
MINIMUM	Varies	12"
MAXIMUM	Varies	No Limit

* A = 1 1/4" min. for Compression Anchors

Max. Fire Rating KD = 60 Minute

KD Rough opening = Glass Opening + 2 3/4" W, + 2 1/4" H



Please consult Chart for specifics on UL Requirements for KD 4-Sided Borrowed Lights

ANCHOR OPTIONS

UL - Compression

Non UL - Compression