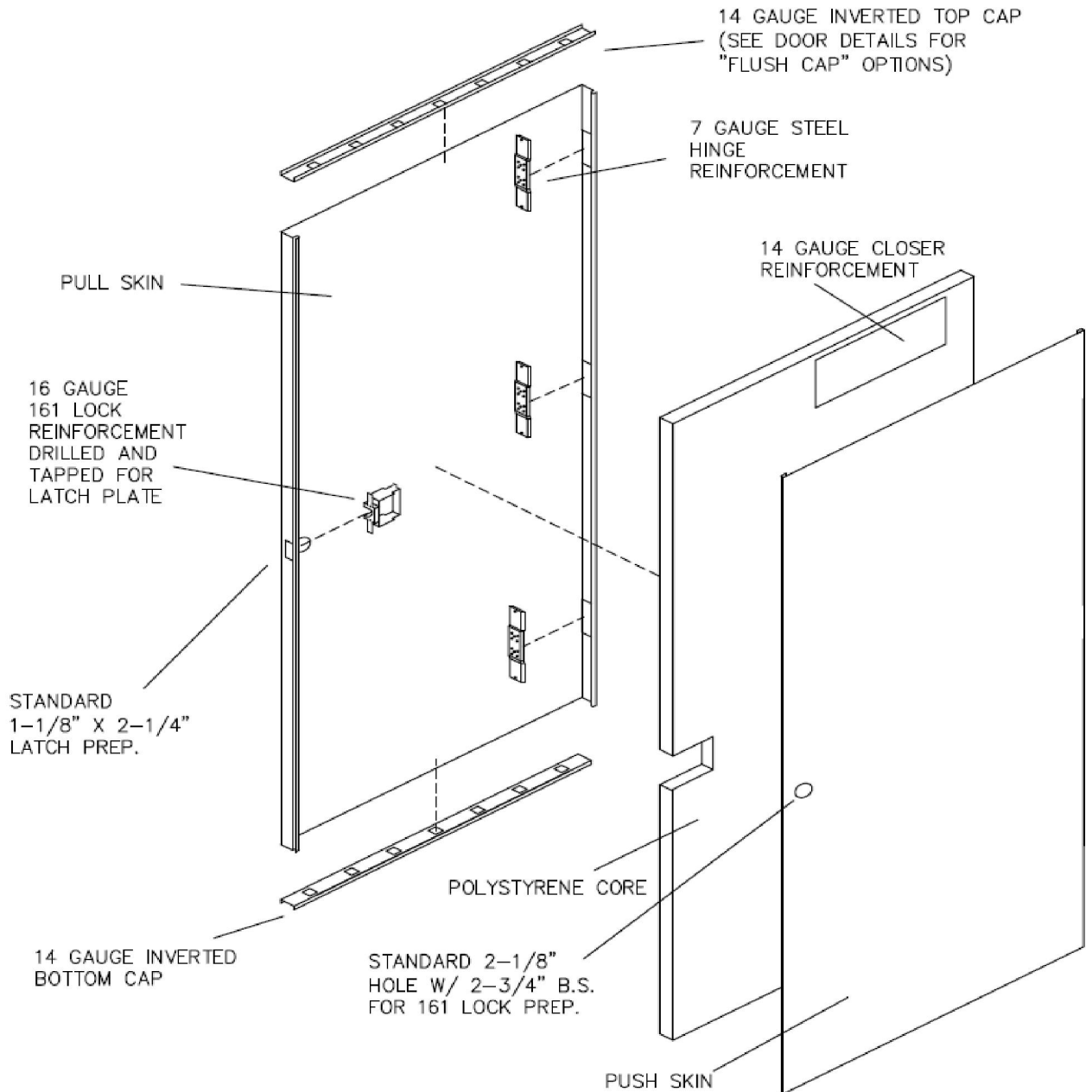


## Lock Seam Construction



### NOTES:

- 96" MAX. DOOR HEIGHT, 42" (18GA) & 48" (16GA) MAX. WIDTH, 23-3/4" MIN. WIDTH
- HEM EDGE DOORS AVAILABLE IN 16 & 18 GAUGE STEEL ONLY (CRS OR A60)
- WH FIRE RATINGS TO 90 MIN. UP TO 4.0 X 8.0
- TEMP RISE CORES AT @ 250 & 450 DEGREE RATING (3.0 X 7.0 OR LESS)
- ESTIMATED PERFORMANCE DATA --STC 32, R 6.87, U .146
- TESTING STANDARDS INCLUDE --UBC 7-2, NFPA 252, UL 10-C
- POLYSTYRENE CORE - 1.0 DENSITY
- HEMMED EDGE DOORS ARE HANDED AND MUST BE SPECIFIED (RIGHT HAND SHOWN)
- BEVELED EDGE STANDARD/ SQUARE EDGE UPON REQUEST
- OPTIONAL LEAD LINING (UNRATED DOORS ONLY)
- BAKED ON GREY PRIMER FINISH

TOP VIEW OF POLYSTYRENE CORE AND BEVELED EDGES

