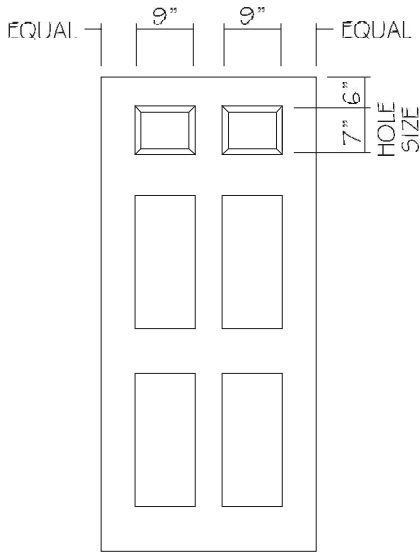
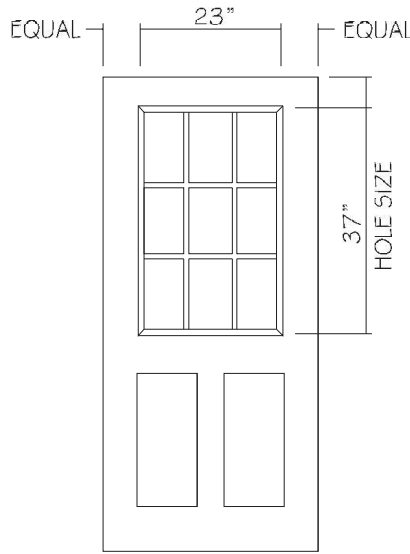


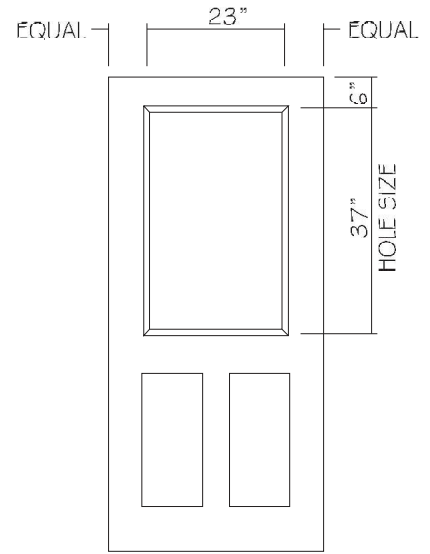
Light Kit & Louver Inserts



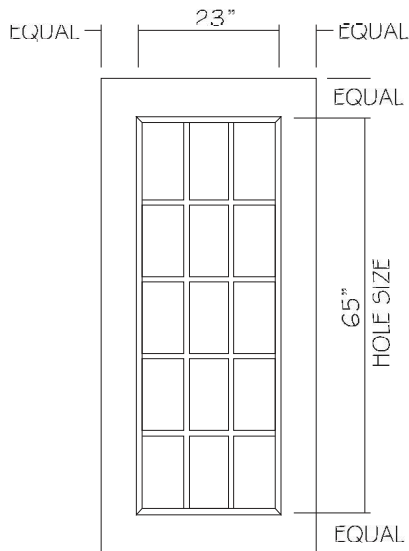
VISIBLE GLASS = 8" x 6"
2-LITE INSERT



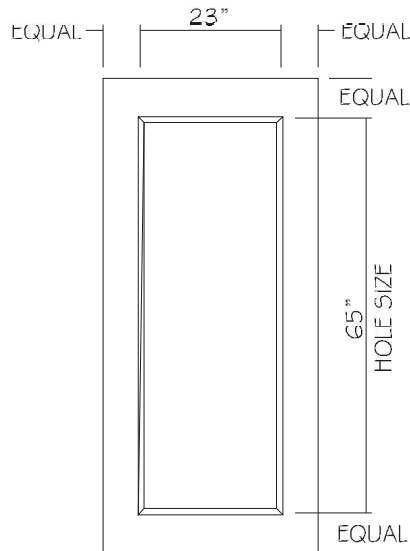
VISIBLE GLASS = 22" x 36"
9-LITE INSERT w/ GRILL



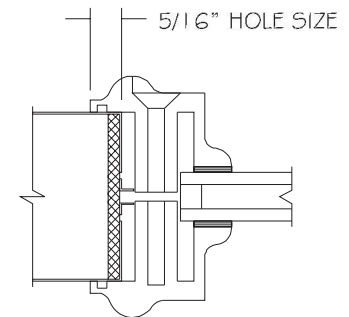
VISIBLE GLASS = 22" x 36"
1-LITE INSERT



VISIBLE GLASS = 22" x 64"
15-LITE INSERT w/ GRILL



VISIBLE GLASS = 22" x
64" FULL VIEW INSERT



COMMERCIAL PLASTIC LITE w/ 1/2"
ISULATED CLEAR TEMPERED GLASS