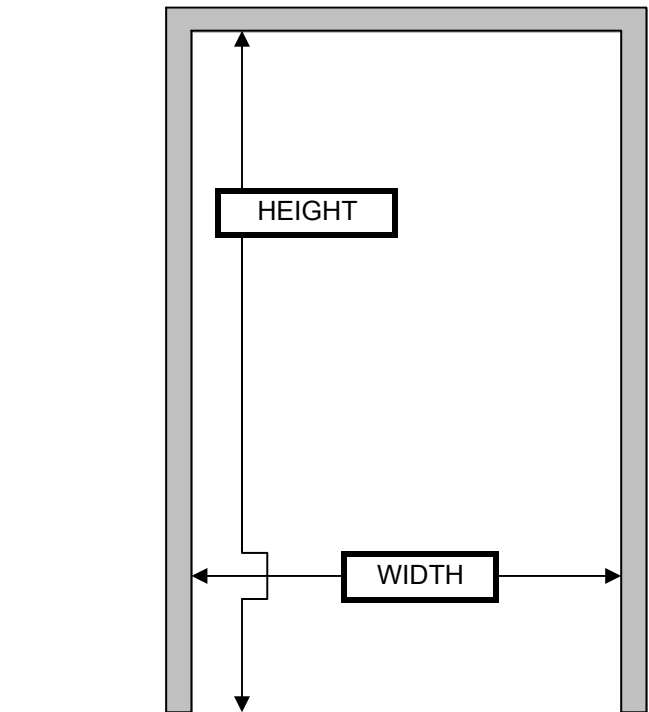
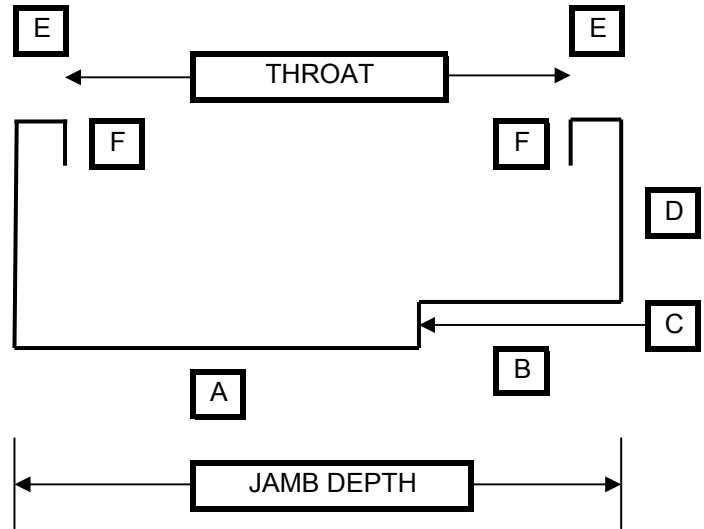


## Standard F Profile 3-Sided Frames (Drywall Single Rabbet)

FRAME PART	UL RATED	NON RATED
THROAT		
MINIMUM	2"	2"
MAXIMUM	13"	No Limit
A=SOFFIT		
MINIMUM	1"	5/8"
MAXIMUM	Varies	No Limit
B=RABBET		
MINIMUM	1 9/16"	5/8"
MAXIMUM	To Suit Door	No Limit
C=STOP		
MINIMUM	5/8"	5/8"
MAXIMUM	Varies	No Limit
D=FACE		
MINIMUM	2"	1"
MAXIMUM	4"	No Limit
E=RETURNS		
MINIMUM	1/2"	1/2"
MAXIMUM	3/4"	No Limit
F=DW Returns		
MINIMUM	7/16"	7/16"
MAXIMUM	11/16"	Varies
HEIGHT		
MINIMUM	20"	18"
MAXIMUM	108"	No Limit
WIDTH - SGL.		
MINIMUM	6"	6"
MAXIMUM	48"	No Limit
WIDTH PAIR		
MINIMUM	12"	12"
MAXIMUM	96"	No Limit

**\*\* Maximum Fire Rating KD = 90 Minute \*\***  
Welded = 3 Hour

KD Rough Opening = Door Opening + 2" W, + 1" H



### ANCHOR OPTIONS

UL - All types

Non UL - SAME

Available KD or Welded (Face Only or Continuous)

\* A = 1 1/4" min. for Compression Anchors