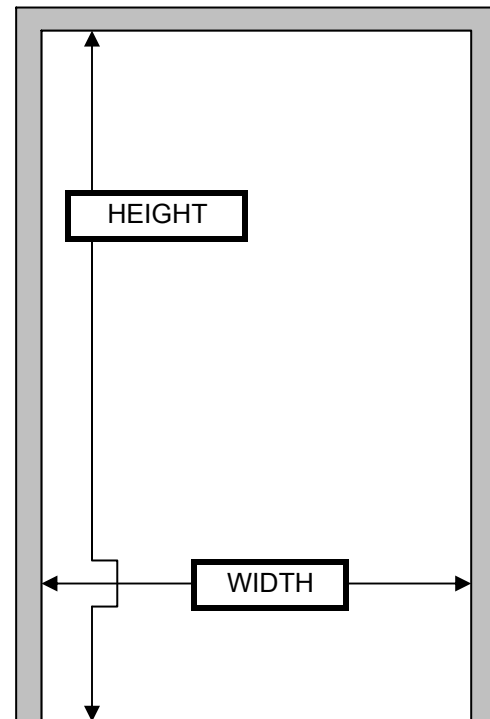
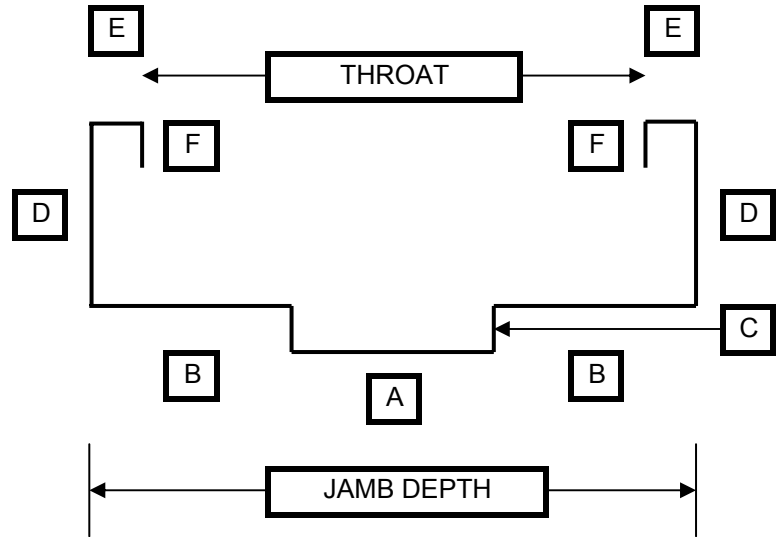


## Standard B Profile Frames (Drywall Double Rabbet)

FRAME PART	UL RATED	NON RATED
<b>THROAT</b>		
MINIMUM	3 5/8"	3 1/4"
MAXIMUM	13"	No Limit
<b>A=SOFFIT</b>		
MINIMUM	1 1/4"	* 5/8" *
MAXIMUM	10 1/2"	No Limit
<b>B=RABBETS</b>		
MINIMUM	5/8"	5/8"
MAXIMUM	To Suit Door	No Limit
<b>C=STOP</b>		
MINIMUM	5/8"	5/8"
MAXIMUM	Varies	No Limit
<b>D=ACES</b>		
MINIMUM	1 1/4"	1"
MAXIMUM	4"	No Limit
<b>E=RETURNS</b>		
MINIMUM	7/16"	7/16"
MAXIMUM	3/4"	No Limit
<b>F=DW RETURN</b>		
MINIMUM	3/8"	3/8"
MAXIMUM	11/16"	Varies
<b>HEIGHT</b>		
MINIMUM	20"	20"
MAXIMUM	108"	No Limit
<b>WIDTH - SGL</b>		
MINIMUM	6"	No Limit
MAXIMUM	48"	No Limit
<b>WIDTH - PAIR</b>		
MINIMUM	12"	No Limit
MAXIMUM	96"	No Limit

**\*\* Maximum Fire Rating KD = 90 Minute \*\***  
Welded = 3 Hour

KD Rough opening = Door Opening + 2" W, + 1" H



### ANCHOR OPTIONS

UL - All types

Non UL - SAME

\* A = 1 1/4" min. for Compression Anchors