

6 Panel Embossed Door

Classic 6 Panel Design

3-0 Wide Openings (2-8 Possible)

Rigid Lockseam Edge Construction

Polystyrene Insulated Core
0.7 to 1.0 Density

Bonded Edge Seam Construction

14 Ga. Top & Bottom Channels

Available in 18 Gauge A60 Galv

WH Fire Rated to 90 Min.
Single Door to 3-0 x 7-0
Pair of Doors to 6-0 x 7-0

Est. Accoustical Value ~ STC 32

Est. R Value ~ 6.87

Est. U Value ~ .146

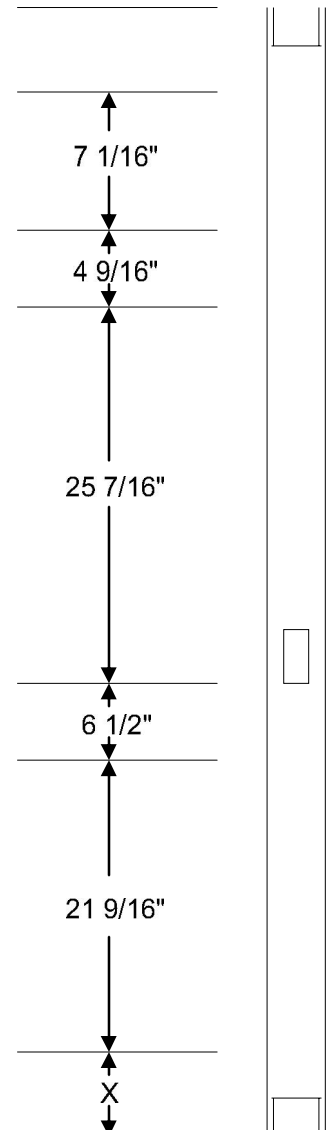
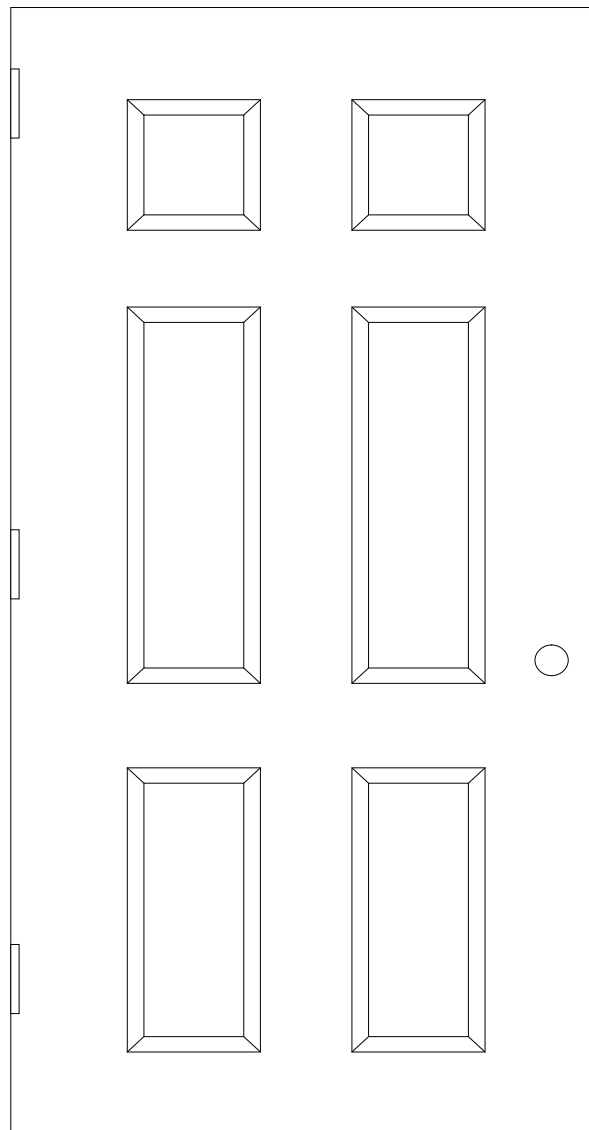
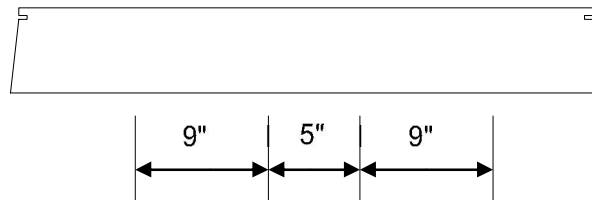
Thickness 1 3/4"

Available Square or Bevelled Edge

Seamless Available (Tack & Fill)

Baked On Grey Primer

Hardware Rein: Hinge = 7 Ga.
161 Lock = 16 Ga.
86 Lock = 14 Ga.
Closer = 14 Ga



6-8 Door "X" = 8 1/8"
7-0 Door "X" = 12 1/8"