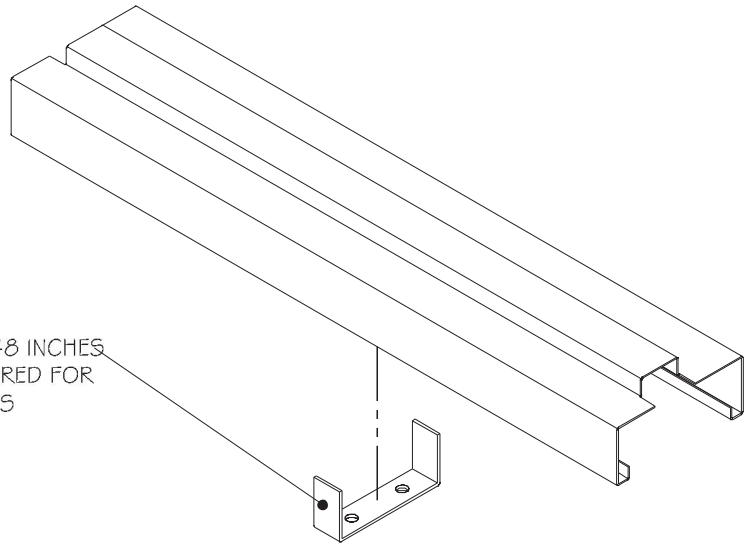
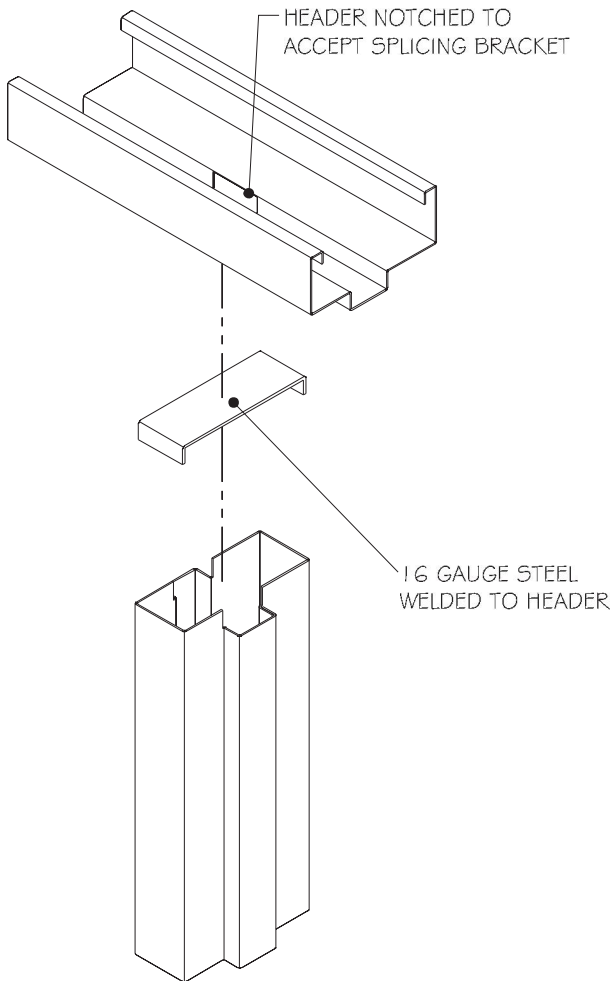


Field Splicing & Special Anchors

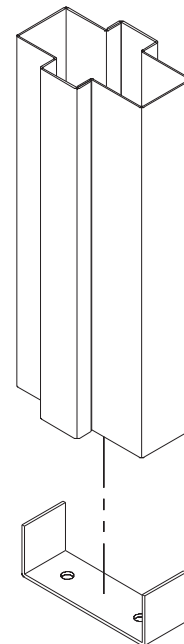
ONE REQUIRED WHEN SILL IS OVER 48 INCHES LONG, ADDITIONAL ANCHOR REQUIRED FOR EACH ADDITIONAL 30 INCHES



12 GAUGE SILL ANCHOR SHIPPED LOOSE



MULLION TO HEADER SPLICE
(K. D. SIDELITES ONLY)



12 GAUGE MULLION BASE ANCHOR SHIPPED LOOSE